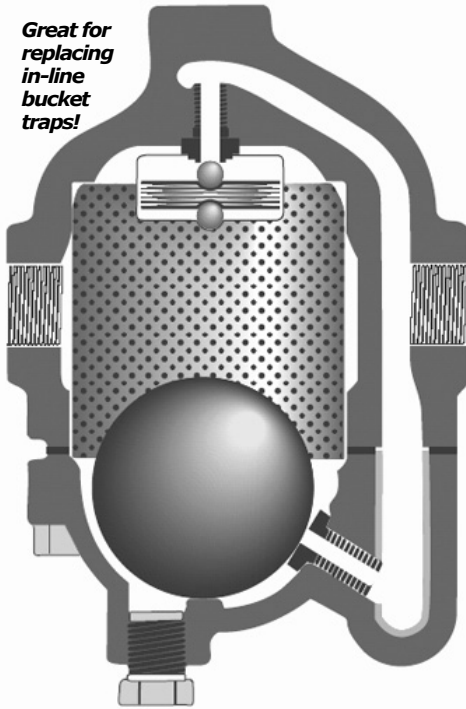


NOVA Long-Life, Free-Floating F&T Traps

Great for replacing in-line bucket traps!



Free-floating stainless steel float and heavy-duty thermostat leaves little to go wrong with this steam trap!

Free-Floating float and thermostatic traps are becoming more and more popular!

The NOVA model NFT250 provides you with a "free-floating" answer to your maintenance concerns. No longer is there a mechanism assembly attached to the float — The mechanism assembly is the piece in standard F&T traps that fails after several years. Without it, and along with the heavy-duty, bi-metallic air vent, you can be assured the NOVA trap will remain maintenance free for a long time!

All Stainless Steel Internal Components — Hardened valves and seats. Extra long life and dependable service.

Resists water hammer. Protects against erosion and corrosion.

Erosion Proof — Discharge passage is protected with a stainless steel liner to prevent wear and provide long-life.

Integral Strainer — Stainless Steel screen prevents dirt problems. Blow-down connection provided for annual trap cleaning or testing.

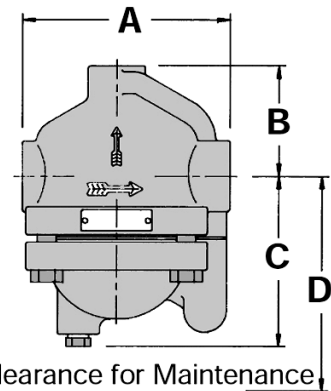
Thermostatic Air Vent — Provided with heavy-duty, bi-metal element for immediate and complete air venting. Optional pressure-balanced thermostatic element also available.

Variable Orifice — Condensate is discharged continuously through the seat ring which is modulated by the float. This provides a smooth, even flow without high velocity or steam entrainment.

Guarantee — Traps are manufacturer guaranteed against defects in materials or workmanship for 3 years.

Complete NOVA Traps

| Model No. | Pipe Size | Max. Steam press. psi | Order No. | Model No. | Pipe Size | Max. Steam press. psi | Order No. |
|--|-----------|-----------------------|---------------|---------------------------------------|-----------|-----------------------|---------------|
| NFT250 Weight 8# Standard Capacity | 1/2" | 20 | NK1010 | NFT251 <i>Continued</i> | 1" | 20 | NK1160 |
| | | 50 | NK1020 | | | 50 | NK1170 |
| | | 100 | NK1030 | | | 100 | NK1180 |
| | | 150 | NK1040 | | | 150 | NK1190 |
| | | 250 | NK1050 | | | 250 | NK1200 |
| | 3/4" | 20 | NK1060 | NFT252 Weight 41# High Capacity | 1" | 20 | NK1210 |
| | | 50 | NK1070 | | | 50 | NK1220 |
| | | 100 | NK1080 | | | 100 | NK1230 |
| | | 150 | NK1090 | | | 150 | NK1240 |
| | | 250 | NK1100 | | | 250 | NK1250 |
| NFT251 Weight 13# Medium Capacity | 3/4" | 20 | NK1110 | 1-1/2" | 20 | NK1260 | |
| | | 50 | NK1120 | | 50 | NK1270 | |
| | | 100 | NK1130 | | 100 | NK1280 | |
| | | 150 | NK1140 | | 150 | NK1290 | |
| | | 250 | NK1150 | | 250 | NK1300 | |



NOVA Trap Dimensions

| Model | A | B | C | D |
|--------|-------|-------|-------|-------|
| NFT250 | 4 1/4 | 2 3/4 | 3 5/8 | 5 1/2 |
| NFT251 | 5 1/2 | 3 | 4 1/2 | 6 3/4 |
| NFT252 | 11 | 3 | 7 3/4 | 10 |