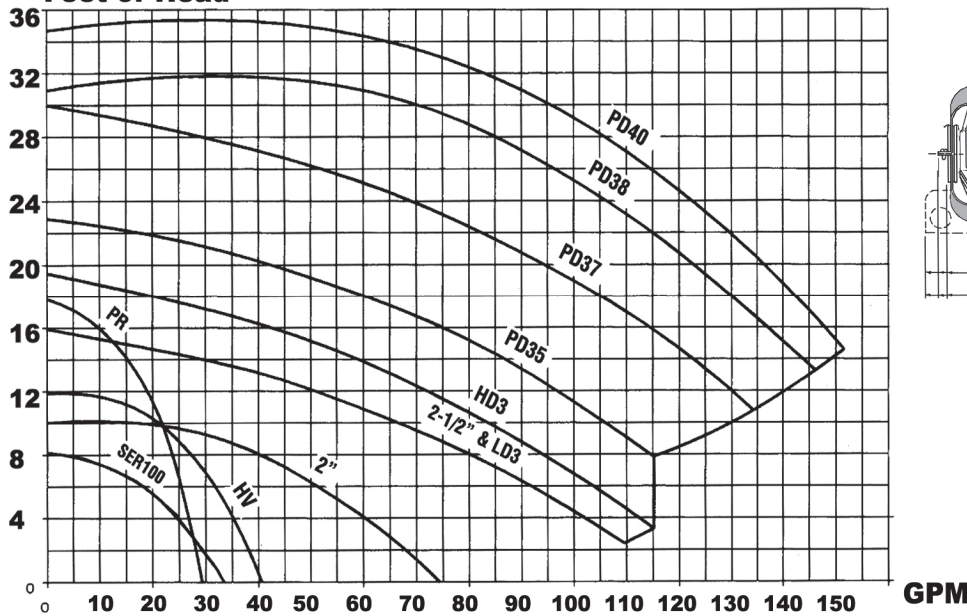
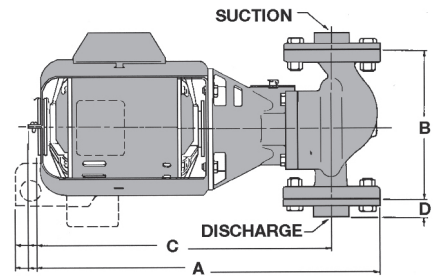


# B&G Circulating Pumps HV, PR, 2, 2½, LD3, HD3 & PD

**Pump Capacities for HV, PR, 2, 2½, LD3, HD3, and PD (GPM at Feet of Head)**



**Pump Dimension Guide**  
Schematic drawing of Model HV shown



Model 2 Shown here;  
Model HV shown above.

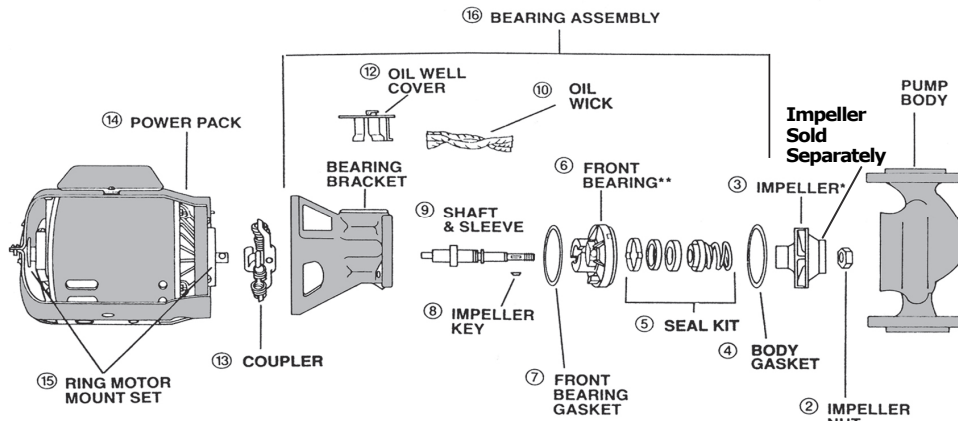
## Series PR, HV, 2, 2½, LD3, HD3 and PD Booster Pumps

Pump Models, HP & Phase	Red Iron Pump for space heat			Bronze Pump for domestic water			Flange Sizes Order separately	Pump Dimensions (in.)			Weight (lbs)	
	*Model No.	Pump No.	Order No.	*Model No.	Pump No.	Order No.		A	B	C	Iron Body	Bronze Body
<b>PR</b> 1/6 hp, 1 ph	PR	102206	<b>BH1023</b>	PR AB	102208	<b>BH1024</b>	¾, 1, 1¼, 1½"	15-1/4	8-1/2	12-3/4	30	32
<b>HV</b> 1/6 hp, 1 ph	HV NFI	102210	<b>BH1035</b>	HV BNFI	102213	<b>BH1030</b>		15-3/8	8-1/2	13	28	30
<b>No. 2</b> 1/6 hp, 1 ph	2 NFI	102214	<b>BH1015</b>	2 AB	102233	<b>BH1020A</b>	2"	16-5/8	8-1/2	14	36	39
				2 BNFI	102217	<b>BH1020</b>						
<b>No. 2½</b> 1/4 hp, 1 ph	2½	102218	<b>BH1022</b>	2½ AB	102220	<b>BH1022A</b>	2½"	17-1/4	10	14	54	58
<b>LD3</b> 1/4, 1 ph	LD3	102222	<b>BH1022B</b>	LD3 AB	102224	<b>BH1022C</b>	3"	17-1/4	10	14	53	57
<b>HD3</b> 1/3 hp, 1 ph	HD3	102226	<b>BH1022D</b>	HD3 AB	102228	<b>BH1022E</b>		17-1/2	10	14-1/4	55	59
<b>PD-35S</b> 1/2 hp, 1 ph	PD35S	105089	<b>BH1100A</b>	PDB35S	105092	<b>BH1100B</b>		20-1/4	12	16-7/8	75	80
<b>PD-35T</b> 1/2 hp, 3 ph	PD35T	105093	<b>BH1110A</b>	PDB35T	105096	<b>BH1110B</b>		20-1/4	12	16-7/8	75	80
<b>PD-37S</b> 3/4 hp, 1 ph	PD37S	105097	<b>BH1120A</b>	PDB37S	105100	<b>BH1120B</b>		20-1/4	12	16-7/8	75	80
<b>PD-37T</b> 3/4 hp, 3 ph	PD37T	105101	<b>BH1130A</b>	PDB37T	105104	<b>BH1130B</b>		20-1/4	12	16-7/8	75	80
<b>PD-38S</b> 1 hp, 1 ph	PD38S	105121	<b>BH1140</b>	PDB38S	105123	<b>BH1140A</b>		24	14-1/2	19-1/2	128	138
<b>PD-38T</b> 1 hp, 3 ph	PD38T	105133	<b>BH1150</b>	PDB38T	105104	<b>BH1150A</b>		24-1/4	14-1/2	19-3/4	125	135
<b>PD-40S</b> 1½ hp, 1 ph	PD40S	105151	<b>BH1160</b>	PDB40S	105153	<b>BH1160A</b>		24-5/8	14-1/2	20-1/8	130	140
<b>PD-40T</b> 1½ hp, 3 ph	PD40T	105137	<b>BH1170</b>	PDB40T	105139	<b>BH1170A</b>		25-1/8	14-1/2	20-5/8	127	137

\*The **NFI** at end of "Model No." = plastic impeller; **AB** = all bronze pump with a bronze impeller. 1 phase motors are 115V on the models 2, 2½ and LD3, and 115/230V on the other 1 phase models. The 3 phase model pumps are all tri-voltage: 208-230/460 volts. The PDB pumps have bronze impellers.

**Complete replacement component guides are found on the pages that follow.**

# Repair Parts for Model HV and 2" Circulating Pumps



The best way to repair a pump is to order a Bearing Assembly — Includes all the “pumping” parts (except impeller) pre-assembled into an easy-to-install pump housing.



**Complete Pumps Include:** Fastener Pack (flange bolts, nuts and gaskets) along with a tube of lubricating oil. Pump flanges not included.

The replacement Bearing Assemblies also include the seal kit, body gasket and tube of oil but not the impeller.

## Repair Parts for Series HV and 2" Booster Pumps

Item No.	Description	Pump Model ▶ Pump No. ▶ Pump Color ▶	HV NFI	HV BNFI	2" NFI	2" BNFI
			102210 Cast Iron Body	102213 Bronze Body	102214 Cast Iron Body	102217 Bronze Body
16	Bearing Assembly less impeller		<b>189165</b>			
3	Impeller, plastic		<b>BG1505</b>			
13	Coupler, <i>also order Motor Mount set</i>		<b>BG1490</b>			
14	Motor (Power Pack) 1/6 h.p., 1 ph		<b>BG1120</b>			
15	Motor Mount Set (2 ea.)		<b>BG1150</b>			
5	Seal Kit, <i>also order Body Gasket</i>		<b>BG1300</b>			
4	Body Gasket		<b>BG1525</b>			
10	Oil Wick Set		<b>BG1200</b>			
Sold by the single flange.	<b>Pump Flange</b> for 1" pipe		<b>BG1025</b>	<b>BG1060</b>	—	—
	Pump Flange for 1 1/4" pipe		<b>BG1030</b>	<b>BG1065</b>	—	—
	Pump Flange for 1 1/2" pipe		<b>BG1035</b>	<b>BG1070</b>	—	—
	Pump Flange for 2" pipe		—	—	<b>BG1511</b>	<b>BG1511A</b>
Sold by the pair.	Pair of 1" pipe <b>Isolation Ball Valves</b>	<b>Isolation valves replace the pump flanges</b>	<b>BI2703</b>		—	—
	Pair of 1 1/4" pipe Isolation Ball Valves		<b>BI2704</b>		—	—
	Pair of 1 1/2" pipe Isolation Ball Valves		<b>BI2704B</b>		—	—
	Gasket Set for above Pump Flanges		<b>BG1185</b>		<b>BG1195</b>	
	Tube of B&G pump oil —2 ounces		<b>BG1145</b>		<b>BG1145</b>	
	Fastener Pack (Bolts-Nuts-Gaskets)		<b>BG1561J</b>		<b>BG1561K</b>	

\* If pumping water for food service, order bronze impeller no. **BG1539**

## Old Bearing Assembly Repair Parts

Item No.	Description	Bearing Assy. <b>189120</b> (Red)	Bearing Assy. <b>189122</b> (Bronze)
6	Front Bearing	<b>BG1451</b>	<b>BG1451</b>
7	Front Bearing Gasket	<b>BG1615</b>	<b>BG1615</b>
8	Impeller Key for Shaft	<b>BG1527</b>	<b>BG1527</b>
	Impeller Gasket	—	<b>BG1552</b>
2	Impeller Nut	<b>BG1542</b>	<b>BG1542</b>
12	Oil Well Cover	<b>BG1628</b>	<b>BG1628</b>
9	Shaft and Sleeve	<b>BG1440</b>	<b>BG1440</b>

The 189165 bearing assembly replaced the 189120 and 189122.

**Red iron body pumps** are used for hot water space heating or chilled water applications.

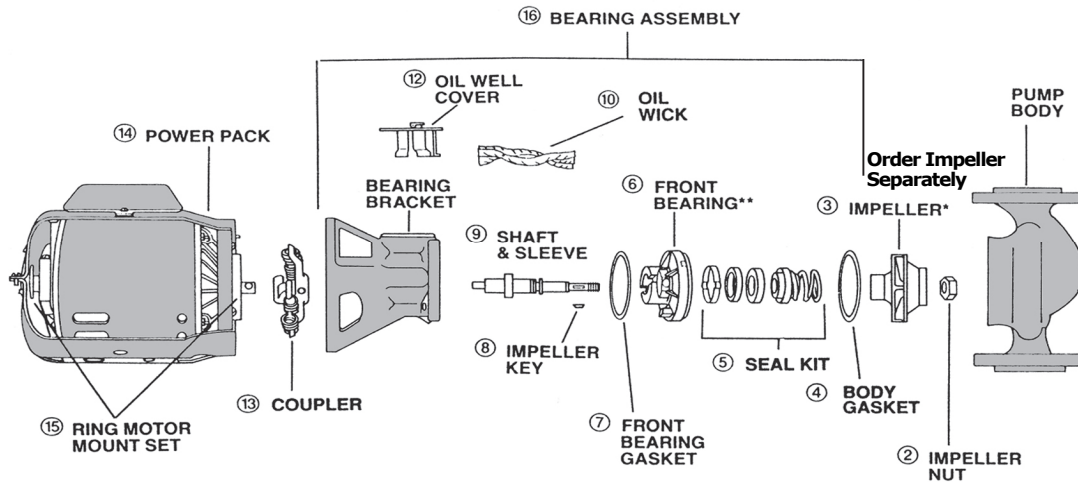
**Bronze body pumps** are used for domestic potable water applications: Potable water is any water that may routinely come in contact with human skin.

## Isolation Flanged Ball Valves



The easy way to repair or replace your pump. Simply turn off the valves, unbolt the pump from the flange and take it out for repair or replacement. Sold by the pair; order from the table above

# Repair Parts for Model PR, 2½, LD-3, HD-3 Pumps



The best way to repair a pump is to order a **Bearing Assembly**. It includes all the component parts pre-assembled into an easy-to-install pump housing.

All Bearing Assemblies shown here are "Bronze Fitted": They are used on red and bronze pumps.

**189105**



The replacement Bearing Assemblies also include the seal kit, body gasket and tube of oil but **not** the impeller. All bearing assemblies are bronze-fitted, for use on HVAC systems and for pumping potable, domestic water.

**Impeller not included.** If needed, order the impeller separately.

## Repair Parts for Bell & Gossett PR, 2½", LD-3" & HD-3"

Item No.	Description	Pump Model ▶ Pump Color ▶ HP & Phase ▶	PR Red or Bronze 1/6, 1ph	2 ½ Red or Bronze 1/4, 1ph	LD-3 Red or Bronze 1/4, 1ph	HD-3 Red or Bronze 1/3, 1ph
16	Bearing Assembly less impeller		<b>189105</b>			
3	Impeller, Steel: Used in HVAC standard heating systems		<b>BG1325</b>	<b>BG1295</b>	<b>BG1295</b>	<b>BG1290</b>
	Impeller, Bronze: Used when pumping potable water		<b>BG1250</b>	<b>BG1230</b>		<b>BG1227</b>
13	Coupler		<b>BG1490</b>	<b>BG1320</b>		<b>BG1320</b>
14	Motor (Power Pack)		<b>BG1075</b>	<b>BG1090</b>		<b>BG1095</b>
15	Motor Mount Set (2 ea.)		<b>BG1160</b>			
5	Seal Kit, <i>also order a Body Gasket</i>		<b>BG1300</b>			
4	Body Gasket		<b>BG1535</b>			
10	Oil Wick Set		<b>BG1200</b>			
	Pump Flange, Red - <i>Sold individually by the "each."</i>	See tables below		<b>BG1519A</b>	<b>BG1511</b>	
	Pump Flange, Bronze - <i>Sold individually by the "each."</i>			<b>BG1538</b>	<b>BG1511C</b>	
	Gasket Set for above Pump Flanges		<b>BG1185</b>	<b>BG1140</b>		
	Tube of B&G pump oil — 2 ounces		<b>BG1145</b>			

### Bearing Assembly Repair Parts

Item No.	Description	Bearing Assembly <b>189105</b>
6	Front Bearing	<b>BG1562L</b>
7	Front Bearing Gasket	<b>BG1615</b>
8	Impeller Key for Shaft	<b>BG1527</b>
	Impeller Gasket	<b>BG1552</b>
2	Impeller Nut	<b>BG1542</b>
12	Oil Well Cover	<b>BG1625</b>
9	Shaft and Sleeve	<b>BG1440</b>

### Isolation Ball Valves

Isolation Ball Valves make pump repair and replacement easy! Sold by the pair	Order No.
¾" Isolation Ball Valves	<b>BI2700</b>
1" Isolation Ball Valves	<b>BI2701</b>
1¼" Isolation Ball Valves	<b>BI2702</b>
1½" Isolation Ball Valves	<b>BI2702B</b>

**Isolation ball valves** replace the standard pump flanges. These On-Off valves allow the pump to easily be removed for repair or replacement.

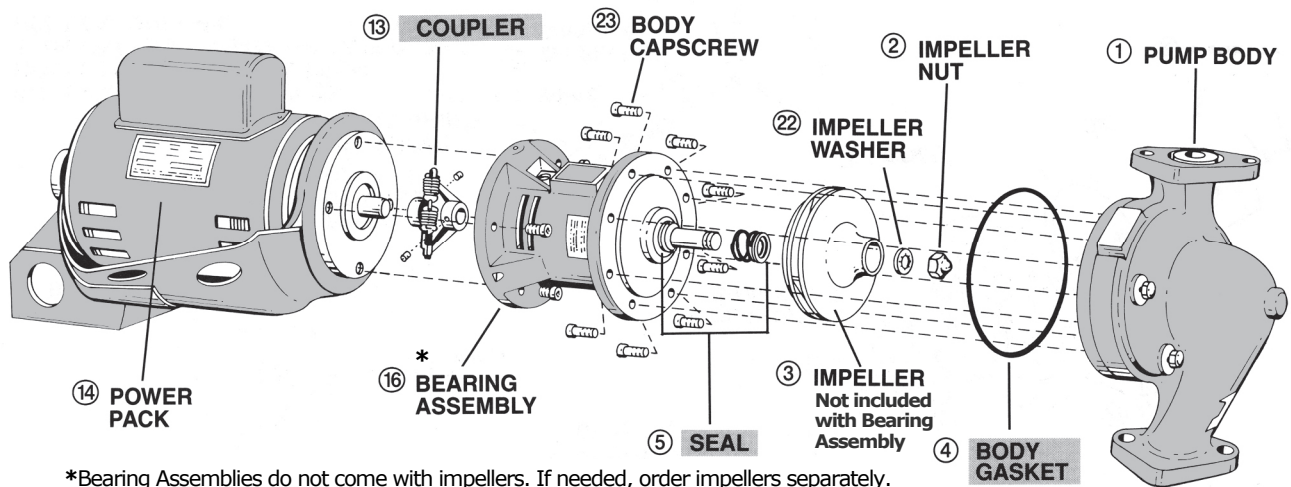


### PR Pump Flanges

Pump Flange Size	Pump Flange Red	Pump Flange Bronze
¾"	P00787	P00835
1"	<b>BG1519A</b>	<b>BG1519D</b>
1-1/4"	<b>BG1519F</b>	<b>P00837</b>
1-1/2"	P03430	P00779



# Repair Parts for Model PD Circulating Pumps



\*Bearing Assemblies do not come with impellers. If needed, order impellers separately.

## PD Booster Pump

The PD Series pumps formerly used the "old" Bearing Assemblies numbered 118478, 118479 & 118480 (replaced by 186863), and 185232, 185233 & 185234 (replaced by 185260 and 185262). Repair parts for the old bearing assemblies are no longer available. Please order a complete new bearing assembly (see table below) if it is necessary to repair one of the "old" discontinued bearing assemblies noted above. Bronze-colored pumps are for domestic hot water; Red-colored pumps are for standard heating.

\*Bearing Assemblies (#16 above) are pre-assembled pump housings, including the seal kit (#5), gasket (#4) and tube of oil. A replacement impeller is not included with the Bearing Assembly. If needed, order impeller separately.

186863



## Repair Parts for "PD" Series B&G Circulating Pumps

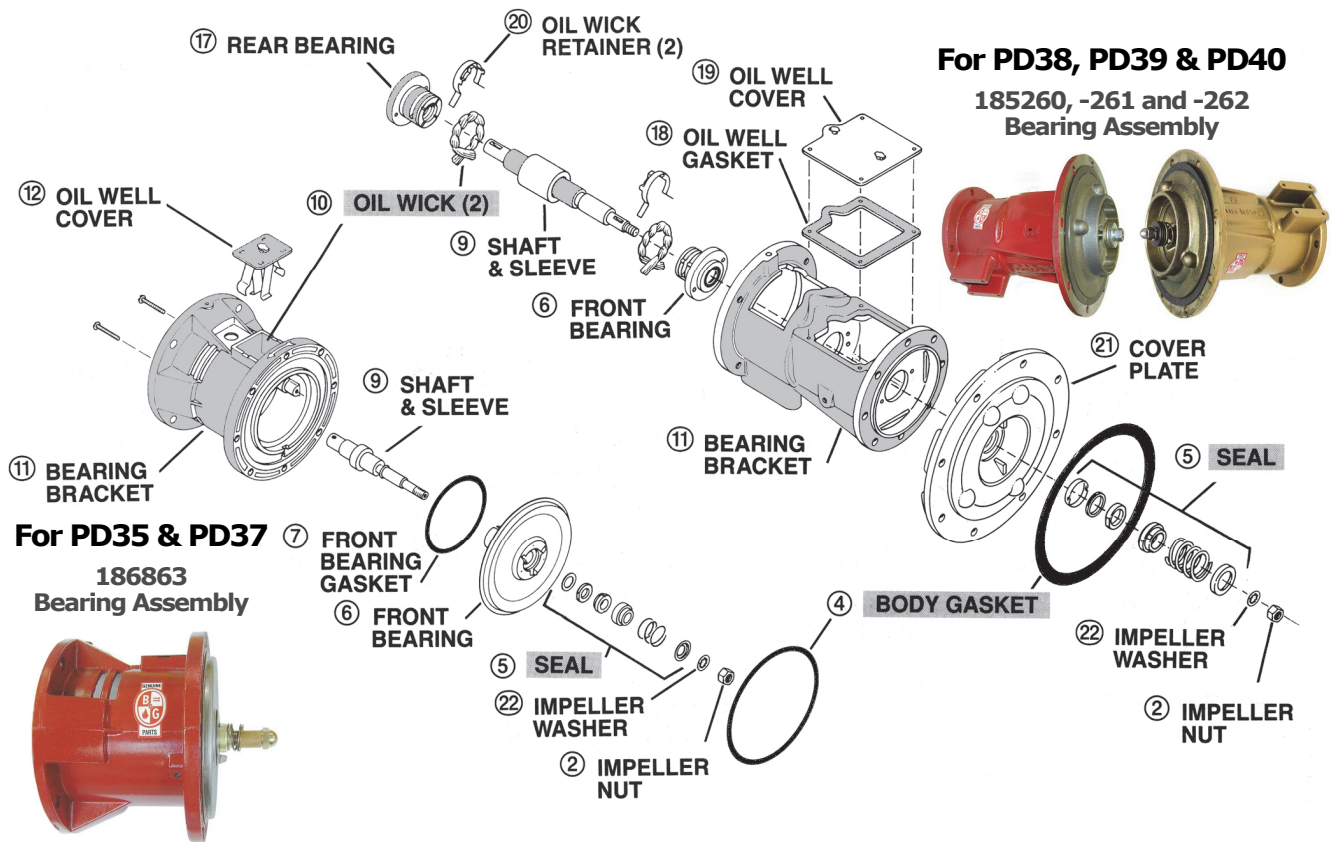
More repair parts on next page.

Item No.	Description	Pump Model ▶	PD-35	PD-37	PD-38	PD-39	PD-40
16	Standard "Red" Bearing Assy. Less Impeller		<b><sup>1</sup>186863</b>		<b>185260</b>		
	<sup>1</sup> Standard & <sup>2</sup> All Bronze Bearing Assy. Less Impeller				<b><sup>2</sup>185262</b>		
3	Impeller, Standard		<b>BG1270</b>	<b>BG1265</b>	<b>BG1539C</b>	<b>BG1232</b>	
	Impeller, Bronze (for Food Service)		<b>BG1260</b>	<b>BG1255</b>	<b>BG1539B</b>	<b>BG1233</b>	
13	Coupler, <i>also order a Motor Mount set</i>		<b>BG1240</b>		<b>BG1245</b>		<b>BG1362</b>
14	Motor (Power Pack), 1-phase 115/230V		<b>BG1100</b> 1/2 HP	<b>BG1110</b> 3/4 HP	<b>BG1346N</b> 1 HP		<b>BG1344A</b> 1 1/2 HP
	Motor (Power Pack), 3-phase 208-230/460V		<b>BG1105</b> 1/2 HP	<b>BG1115</b> 3/4 HP	<b>BG1346P</b> 1 HP		<b>BG1346T</b> 1 1/2 HP
15	Motor Mount Set (2 ea.)		<b>BG1160</b>		<b>BG1519</b>		
5	Seal Kit ( <i>also order a Body Gasket</i> )		<b>BG1300</b>		<b>BG1380</b>		
4	Body Gasket		<b>BG1555</b>		<b>BG1560</b>		
	Oil Wick Set		<b>BG1200</b>		<b>BG1522</b>		
	3" Pump Flange, Standard Red Iron		<b>BG1511B</b>		<b>BG1511T</b>		
	3" Pump Flange, Bronze		<b>BG1511C</b>		<b>BG1510D</b>		
	Gasket Set for above Pump Flanges		<b>BG1140</b>				
	Tube of B&G pump oil, 2 ounces		<b>BG1145</b>				

■ **Seal Kit** repairs leaking pumps. Make certain to also order a Body Gasket.

■ **Couplers** break when the Motor Mounts become too weak, often by over-oiling, to keep the motor shaft aligned with the bearing assembly shaft.

# Repair Parts for Model PD Pump Bearing Assemblies



## Repair Parts for "PD" Pump Bearing Assemblies

**ABOVE** is a diagram of repair parts for the PD series Bell & Gossett booster pumps.

■ The Bearing Assembly is the portion of the pump that actually does the "pumping."

■ When the pump begins leaking it usually means the "seal" is bad. Order a replacement seal kit and body gasket.

■ For repairs other than replacing the seal, a new bearing assembly is the best way to go.

■ Do not over-oil your pump: The motor mounts become sloppy & your pump is thrown out of alignment and the pump coupler fails.

Item No.	Description	Brgm Assy. <b>186863</b> Bronze Fitted	Brgm Assy. <b>185260</b> Bronze Fitted	<sup>1</sup> Brgm Assy. <b>185261</b> All Iron	<sup>2</sup> Brgm Assy. <b>185262</b> All Bronze
4	Body Gasket	<b>BG1555</b>		<b>BG1560</b>	
6	Front Bearing	<b>BG1564</b>		<b>BG1355</b>	
7	Front Bearing Gasket	<b>BG1615</b>		None	
8	Impeller Key for Shaft	<b>BG1527</b>		<b>BG1547</b>	
2	Impeller Nut	<b>BG1542</b>	<b>BG1543</b>		<b>BG1539A</b>
22	Impeller Washer	<b>BG1552</b>	<b>BG1539E</b>		<b>BG1539F</b>
20	Oil Wick Retainer	None		<b>BG1539G</b>	
12	Oil Well Cover	<b>BG1625</b>		<b>BG1553</b>	
10	Oil Wick Set	<b>BG1200</b>		<b>BG1522</b>	
5	Seal Kit (Also order a body gasket)	<b>BG1300</b>	<b>BG1380</b>	<b>BG1377</b>	<b>BG1380</b>
9	Shaft and Sleeve	<b>BG1440</b>	<b>BG1235</b>	<b>BG1539D</b>	<b>BG1235</b>
17	Rear Bearing	None		<b>BG1350</b>	

<sup>1</sup> Bearing assembly 185261 is all iron construction (used in swimming pool applications);

<sup>2</sup> Bearing assembly 185262 is all bronze construction (used in public food service applications).