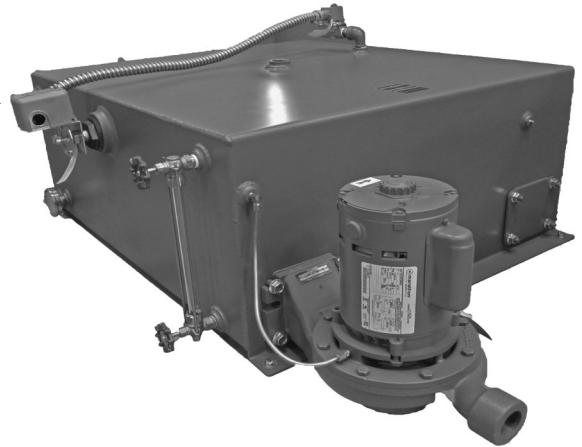


Sentinel® Boiler Feed Pumps

Application

MEPCO Sentinel® Boiler Feed Pumps are designed for installations where it is critical to maintain boiler water level within narrow limits and automatically provide make-up water from an outside source. A Boiler Water Line Controller is installed at the boiler water line when more water is required the float operated switch in the Controller starts the pump motor. Water level in the pump receiver is maintained by using an electric solenoid water make-up valve activated by a reverse acting float switch. Some typical applications for the Sentinel® Boiler Feed Pump can be used in a gravity return comfort heating system, low pressure boilers or low pressure process equipment.



Features

Specifications

- Capacities Range of 15 - 150 HP.
- Flow Rates of 3 - 30 GPM
- Discharge Pressures of 20 - 50 PSIG
- Motor Range of 1/3 - 3 HP
- Single Phase 115v-230v
- Three Phase 208v/230v - 460v
- Carbon Steel Tanks Range 15 to 150 gallons

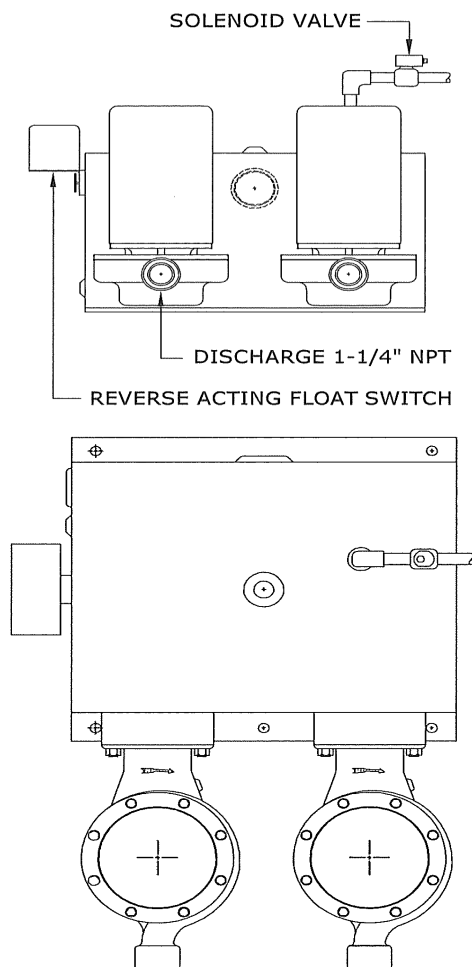
Materials

Description	Material	Option
Case	Cast Iron	
Adapter	Cast Iron	
Impeller	Brass	
Mechanical Seal/O-Ring	Buna N	EPT or Viton
Tank	Carbon Steel	

Maximum Operating Conditions

RPM - 3450	HP - 3	Hz - 60	175PSI Max. Working Pressure
Seals	Buna N 225°F	EPT 300°F	Viton 400°F

If the amperage required by motor is greater than amp rating of the boiler water level controller or electrical supply is 3 PH a control panel is required.



Note: We reserve the right to make revisions to its products, specifications and related information without notice.

MEPCO 3695 44th Street SE • Grand Rapids, MI 49512 • Phone 616-97-3420 • Fax 616-971-3421 • www.mepcollc.com