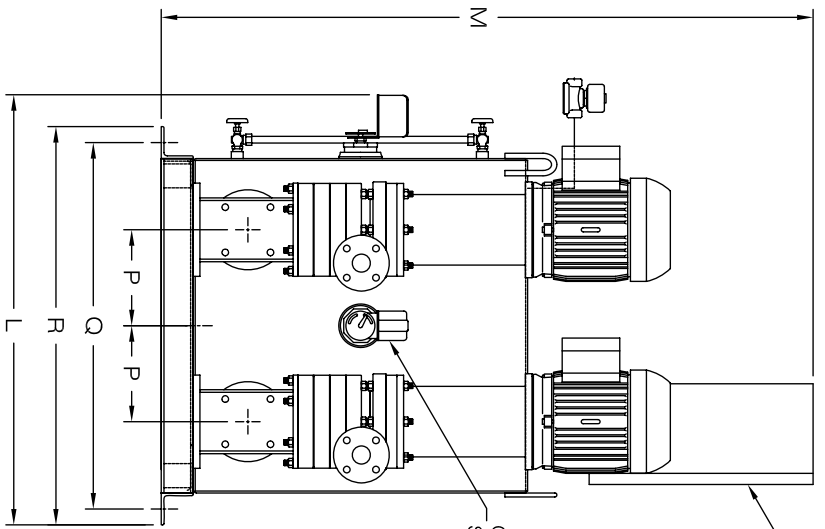
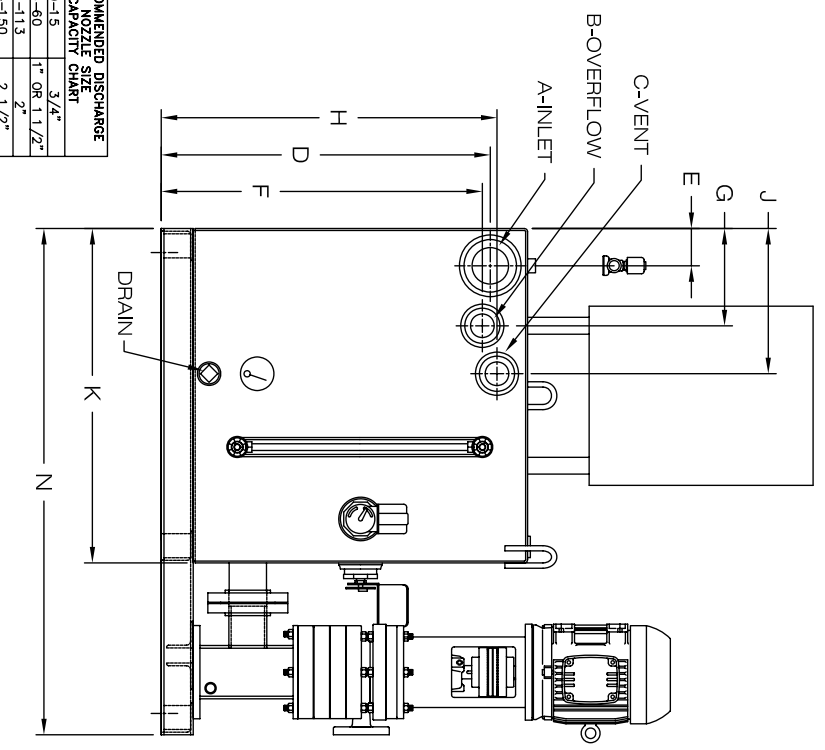


RECOMMENDED DISCHARGE CAPACITY CHART	3/4"
0-15	1" OR 1 1/2"
16-60	2"
61-113	2 1/2"
114-150	3"
151-250	3"
251-400	4"



FRONT OF PANEL
(CAN ALSO BE
WALL-MOUNTED)

ONLY USED WHEN TWO FLOAT
SWITCHES ARE REQUIRED.

REC.	SIZE	THICK	A	B	C	D	E	F	G	H	J	K	L	M	N	P	Q	R	DRAIN
60 GAL.	24 1/4 x 24 1/4 x 24 1/4	3/16	3	1 1/2	1 1/2	24 1/4	2 7/8	23 3/4	7 1/8	24 3/4	10 1/8	24 1/4	36	55	41	9	27 1/4	30 1/4	1
81 GAL.	30 1/4 x 30 1/4 x 21 1/4	3/16	4	2 1/2	2 1/2	21 1/4	3 1/2	20 3/4	9 1/8	21 3/4	13 5/8	30 1/4	41	52	47	10	33 1/4	36 1/4	1 1/2
128 GAL.	31 3/8 x 31 3/8 x 31 3/8	3/16	4	2 1/2	2 1/2	30 7/8	3 1/2	30 1/8	9 1/8	31 1/2	13 5/8	31 3/8	42	62	48	12	34 3/8	37 3/8	1 1/2
168 GAL.	36 3/8 x 36 3/8 x 30 3/8	3/16	4	2 1/2	2 1/2	29 7/8	3 1/2	29 1/8	9 1/8	30 1/2	13 5/8	36 3/8	47	61	53	12	39 3/8	42 3/8	2
235 GAL.	38 3/8 x 38 3/8 x 38 3/8	3/16	4	2 1/2	2 1/2	37 7/8	3 1/2	37 1/8	9 1/8	38 1/2	13 5/8	38 3/8	49	66	55	12	41 3/8	44 3/8	2

SHIPCO®
SPUMPS

MANUFACTURED BY

SHIPPENSBURG PUMP COMPANY INC.
P.O. Box 279 Shippensburg, Pa. 17257
PHONE 717 532-7321 / FAX 717 532-7704
WWW.SHIPCOPIUMPS.COM

SHIPCO® IS A REGISTERED TRADEMARK OF SHIPPENSBURG PUMP CO., INC.

TYPE DMS
FLOOR-MOUNTED STEEL RECEIVER
BOILER FEED PUMPS

DRAWN BY	DATE	REVISION
M.LINEWEAVER	5/08	0
DIMENSION PRINT		

40283