



SHIPPENSBURG PUMP CO. INC.

P.O. BOX 279, SHIPPENSBURG, PA 17257

PH 717-532-7321 • FAX 717-532-7704

WWW.SHIPCOPUMPS.COM

Pride

Quality

Craftsmanship

BULLETIN 114

Revised 1/14



Standard Equipment:
Mechanical Make-up Valve
(for supply pressure
up to 50 PSIG)

TYPE EMH

ECONOMICAL MAKE-UP HORIZONTAL BOILER FEED UNITS

*NOTE: If unit is used as a surge tank,
pumps should run continuously*

EMH-P Units handle condensate up to 210°F with low NPSH requirements.

Centrifugal Pumps designed for many years of dependable service with low maintenance.

3500 RPM provides low inertia for intermittent operation.

Mechanical make-up valve with float and rubber fitted sealing face.

Pump has no internal bearings. (Motor bearings refer to motor manufacturer's instructions.)

Heavy Wall Steel Receiver.

Gauge Glass Assembly for viewing water level.

Two Pump openings on all units.

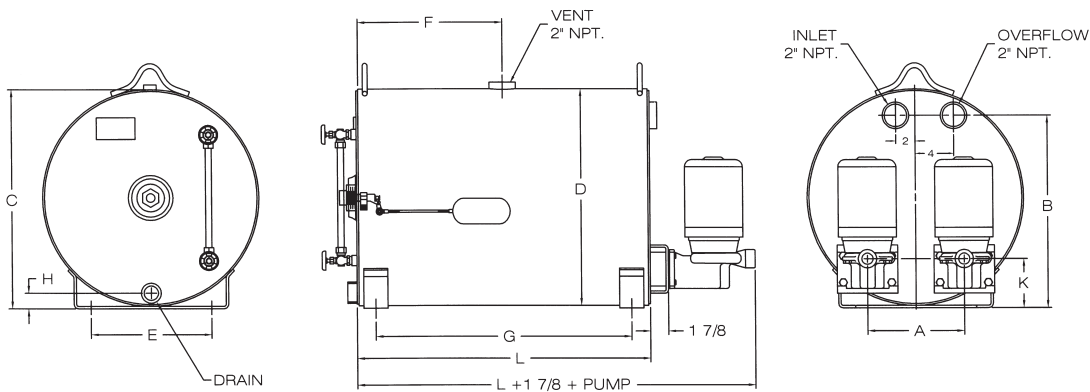
ODP Motors Only

SHIPCO®
PUMPS

are equipped with Mechanical Seals rated up to a standard 250°F.
Higher temperature seals and special faces available upon request.

CATALOG SELECTIONS FOR EMH MODEL D PUMPS

HP	GPM	PSIG	DISCH. SIZE	PUMP TYPE	49 GAL. RECEIVER	71 GAL. RECEIVER	117 GAL. RECEIVER	147 GAL. RECEIVER	183 GAL. RECEIVER	209 GAL. RECEIVER	292 GAL. RECEIVER
1/3	18	20	3/4	110	49EMH18-20	71EMH18-20	117EMH18-20	147EMH18-20	183EMH18-20	209EMH18-20	292EMH18-20
1/2	15	25	3/4	110	49EMH15-25	71EMH15-25	117EMH15-25	147EMH15-25	183EMH15-25	209EMH15-25	292EMH15-25
1/2	18	30	3/4	106	49EMH18-30	71EMH18-30	117EMH18-30	147EMH18-30	183EMH18-30	209EMH18-30	292EMH18-30
3/4	18	40	3/4	106	49EMH18-40	71EMH18-40	117EMH18-40	147EMH18-40	183EMH18-40	209EMH18-40	292EMH18-40
1/2	22-1/2	20	1	110	49EMH22-20	71EMH22-20	117EMH22-20	147EMH22-20	183EMH22-20	209EMH22-20	292EMH22-20
3/4	22-1/2	25	1	106	49EMH22-25	71EMH22-25	117EMH22-25	147EMH22-25	183EMH22-25	209EMH22-25	292EMH22-25
3/4	22-1/2	30	1	106	49EMH22-30	71EMH22-30	117EMH22-30	147EMH22-30	183EMH22-30	209EMH22-30	292EMH22-30
1	22-1/2	40	1	106	49EMH22-40	71EMH22-40	117EMH22-40	147EMH22-40	183EMH22-40	209EMH22-40	292EMH22-40
3/4	30	20	1	110	49EMH30-20	71EMH30-20	117EMH30-20	147EMH30-20	183EMH30-20	209EMH30-20	292EMH30-20
3/4	30	25	1	106	49EMH30-25	71EMH30-25	117EMH30-25	147EMH30-25	183EMH30-25	209EMH30-25	292EMH30-25
1	30	30	1	106	49EMH30-30	71EMH30-30	117EMH30-30	147EMH30-30	183EMH30-30	209EMH30-30	292EMH30-30
1	30	40	1	106	49EMH30-40	71EMH30-40	117EMH30-40	147EMH30-40	183EMH30-40	209EMH30-40	292EMH30-40



CATALOG SELECTIONS FOR EMH-P MODEL P PUMPS

HP	GPM	PSIG	DISCH. SIZE	PUMP TYPE	49 GAL. RECEIVER	71 GAL. RECEIVER	117 GAL. RECEIVER	147 GAL. RECEIVER	183 GAL. RECEIVER	209 GAL. RECEIVER	292 GAL. RECEIVER
1/3	9	20	3/4	110	49EMH-P9-20	71EMH-P9-20	117EMH-P9-20	147EMH-P9-20	183EMH-P9-20	209EMH-P9-20	292EMH-P9-20
1/2	9	25	3/4	110	49EMH-P9-25	71EMH-P9-25	117EMH-P9-25	147EMH-P9-25	183EMH-P9-25	209EMH-P9-25	292EMH-P9-25
3/4	9	30	3/4	116	49EMH-P9-30	71EMH-P9-30	117EMH-P9-30	147EMH-P9-30	183EMH-P9-30	209EMH-P9-30	292EMH-P9-30
1/2	12	20	3/4	110	49EMH-P12-20	71EMH-P12-20	117EMH-P12-20	147EMH-P12-20	183EMH-P12-20	209EMH-P12-20	292EMH-P12-20
3/4	12	25	3/4	110	49EMH-P12-25	71EMH-P12-25	117EMH-P12-25	147EMH-P12-25	183EMH-P12-25	209EMH-P12-25	292EMH-P12-25
3/4	12	30	3/4	116	49EMH-P12-30	71EMH-P12-30	117EMH-P12-30	147EMH-P12-30	183EMH-P12-30	209EMH-P12-30	292EMH-P12-30
1/2	15	20	3/4	110	49EMH-P15-20	71EMH-P15-20	117EMH-P15-20	147EMH-P15-20	183EMH-P15-20	209EMH-P15-20	292EMH-P15-20
3/4	15	25	3/4	116	49EMH-P15-25	71EMH-P15-25	117EMH-P15-25	147EMH-P15-25	183EMH-P15-25	209EMH-P15-25	292EMH-P15-25
1	15	30	3/4	116	49EMH-P15-30	71EMH-P15-30	117EMH-P15-30	147EMH-P15-30	183EMH-P15-30	209EMH-P15-30	292EMH-P15-30
3/4	22	20	1-1/2	116	49EMH-P22-20	71EMH-P22-20	117EMH-P22-20	147EMH-P22-20	183EMH-P22-20	209EMH-P22-20	292EMH-P22-20
3/4	22	25	1-1/2	116	49EMH-P22-25	71EMH-P22-25	117EMH-P22-25	147EMH-P22-25	183EMH-P22-25	209EMH-P22-25	292EMH-P22-25
1	22	30	1-1/2	116	49EMH-P22-30	71EMH-P22-30	117EMH-P22-30	147EMH-P22-30	183EMH-P22-30	209EMH-P22-30	292EMH-P22-30

Rec Size D & L	Gallon	A			B	C	E	F	G	H	K			DRAIN
		116, 110, 106									116	110	106	
22 x 30	49	10			19-7/16	22-1/4	14-1/2	15	26-1/2	1-13/16	5-5/8	4-3/8	5-7/16	1
24 x 36	71	10			21-1/2	24-1/4	16-1/2	18	32-1/2	1-13/16	5-5/8	4-3/8	5-7/16	1
24 x 60	117	10			21-1/2	24-1/4	16-1/2	30	56-1/2	1-13/16	5-11/16	4-7/16	5-1/2	1-1/2
30 x 48	147	10			27-3/4	30-1/4	22-1/2	24	44-1/2	1-13/16	5-3/16	4-1/16	5-1/8	1-1/2
30 x 60	183	10			27-3/4	30-1/4	22-1/2	30	56-1/2	1-13/16	5-3/16	4-1/16	5-1/8	1-1/2
32 x 60	209	12			29-3/4	32-1/4	24-1/2	30	56-1/2	1-13/16	5-3/16	4-1/16	5-1/8	2
32 x 84	292	12			29-3/4	32-1/4	24-1/2	42	80	1-13/16	5-3/16	4-1/16	5-1/8	2

ACCESSORIES AVAILABLE:

Thermometers / Inlet Strainers / Isolation Valves / Discharge Pressure Gauges
Optional Solenoid Valve with or without Air Gap Assembly / Control Panels (mounted or not)