

BOILER FEED UNITS 3500 SERIES

Bulletin 730-J

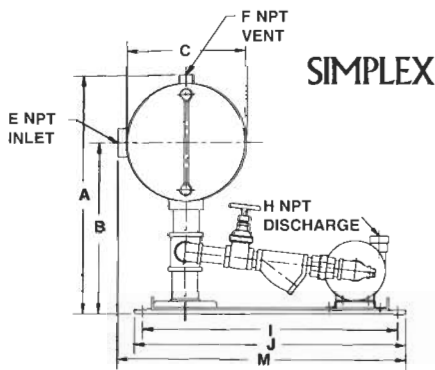


Model 352150-GDF

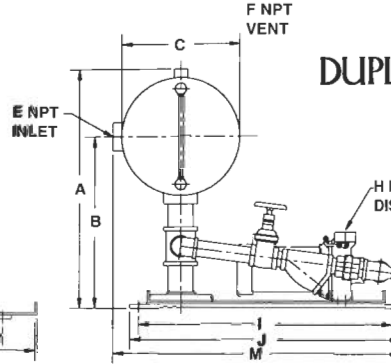
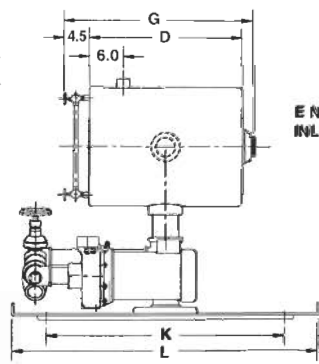
Features

- Heavy gauge steel receivers
- Simplex or duplex construction
- Bronze fitted centrifugal pumps
- Energy efficient 3450 RPM motors
- "Sterl-Seal"[™] ceramic pump seal
- Heavy-duty make-up water valve
- Wide range of options and accessories

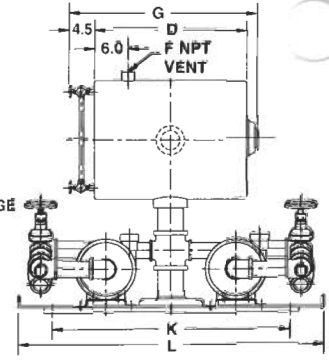
STERLCO Dimensions



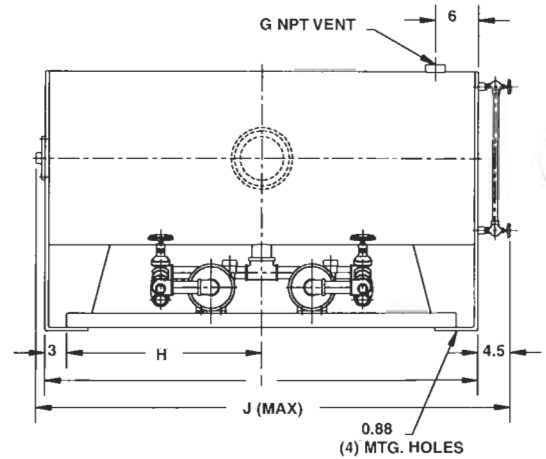
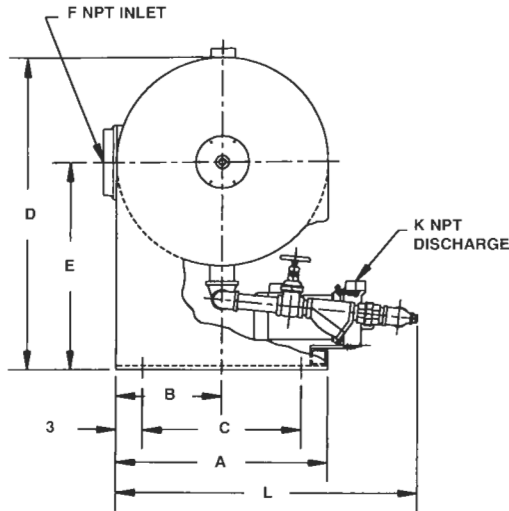
SIMPLEX



DUPLEX



GAL	A	B	C	D	E	F	G	H		I	J	K	L	M
								G Pump	J Pump					
33	32.5	22.5	18	30	4	1	36.5	.75	1.5	30	32	28	36	36
49	34.5	23.5	20	36	5	1.25	42.5	.75	1.5	30	32	28	36	37
65	34.5	23.5	20	48	5	1.5	54.5	.75	1.5	30	32	28	36	37
95	38.5	25.5	24	48	6	1.5	54.5	.75	1.5	30	32	28	36	39



GAL	A	B	C	D	E	F	G	H	I	J	K		L
											G Pump	J Pump	
117	24	12	18	36	24	6	2	27	60	67	.75	1.5	36
146	27	13.5	21	39	25.5	6	2	27	60	67	.75	1.5	39
175	30	15	24	42	27	6	2	27	60	67	.75	1.5	42
210	32	16	26	44	28	6	2	27	60	67	.75	1.5	44
264	36	18	30	48	30	6	2	27	60	67	.75	1.5	48

GAL	A	B	C	D	E	F	G	H	I	J	K		L
											G Pump	J Pump	
326	40	20	34	52	32	6	2	27	60	67	.75	1.5	52
395	40	20	34	52	32	6	2	33	72	79	.75	1.5	52
470	48	24	42	60	36	6	2	27	60	67	.75	1.5	60
564	48	24	42	60	36	6	2	33	72	79	.75	1.5	60
595	54	27	48	66	39	6	2	27	60	67	.75	1.5	66
714	54	27	48	66	39	6	2	33	72	79	.75	1.5	66