

STERLCO

**HEATING
SPECIALTIES**

**CONDENSATE PUMPS WITH
CAST IRON RECEIVERS
4200-G SERIES**

Bulletin 710-B



Standard Features

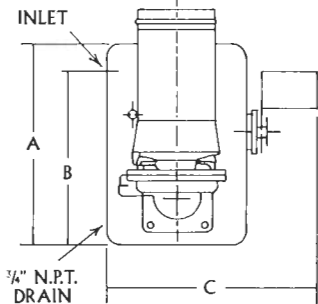
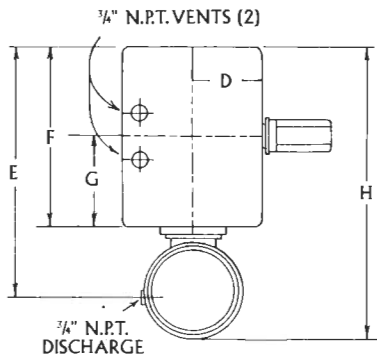
- Heavy duty cast iron receivers
- Simplex or duplex construction
- Bronze fitted centrifugal pumps
- Energy efficient 3450 RPM motors
- Automatic venting
- "Sterl-Seal"[™] ceramic pump seal
- Heavy duty float switch

Special Options

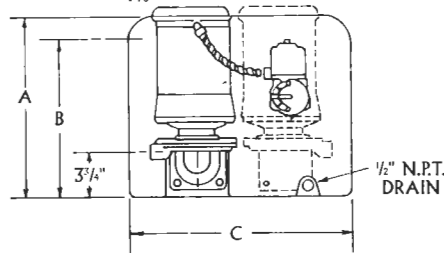
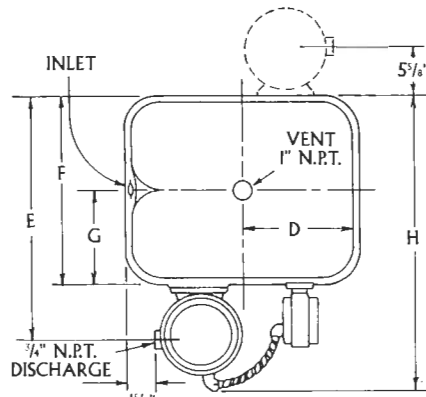
- Mechanical and electrical alternators
- Gauge glass
- Thermometer
- Discharge pressure gauges
- Isolation valves
- Special motor construction, such as totally enclosed and explosion proof are available
- Magnetic starters with H-O-A selector switch
- 1750 RPM motors, larger pumping capacities and higher discharge pressures — consult factory
- Wide variety of control panels
- Oversized receivers available (50, 75, and 110 gallon)

4200-G Series Engineering And Capacity Data

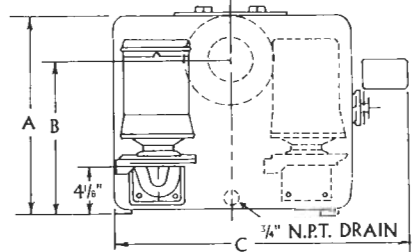
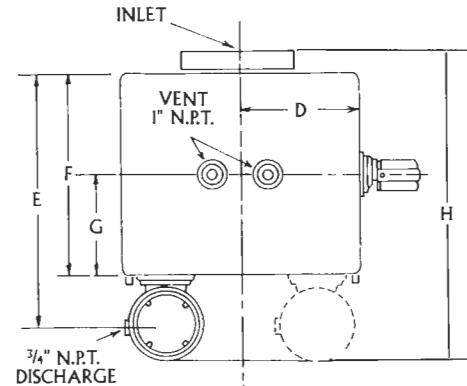
CAPACITY SQ. FT. E.D.R.	DISCHARGE PRESSURE P.S.I.	PUMP CAP. GPM	MOTOR H.P.	REC. CAP. GAL.	UNIT MODEL NO.		SHIPPING WT. LBS.	
					SIMPLEX	DUPLEX	SIMPLEX	DUPLEX
2,000	20	3	1/3	6	4222-G	—	150	—
4,000	20	6	1/3	6	4224-G	—	150	—
6,000	20	9	1/3	13.5	4226-G	4226-GD	260	295
8,000	20	12	1/3	13.5	4228-G	4228-GD	260	295
10,000	20	15	1/2	13.5	42210-G	42210-GD	260	295
15,000	20	22.5	1/2	21	42215-G	42215-GD	300	335
20,000	20	30	3/4	36	42220-G	42220-GD	410	445



6 GALLON TANK



13.5 GALLON TANK



21-36 GALLON TANKS

RECEIVER SIZE	A	B	C	D	E	F	G	H	INLET
6	14.50	12.50	14.50	4.80	18.25	12.62	6.31	20.44	2"
13.5	14.88	13.19	18.50	9.25	19.12	13.50	6.75	24.00	2"
21	19.13	15.63	25.84	10.50	20.04	15.00	7.50	22.82	2"
36	18.63	15.13	27.34	11.25	27.54	22.50	11.25	31.76	3"