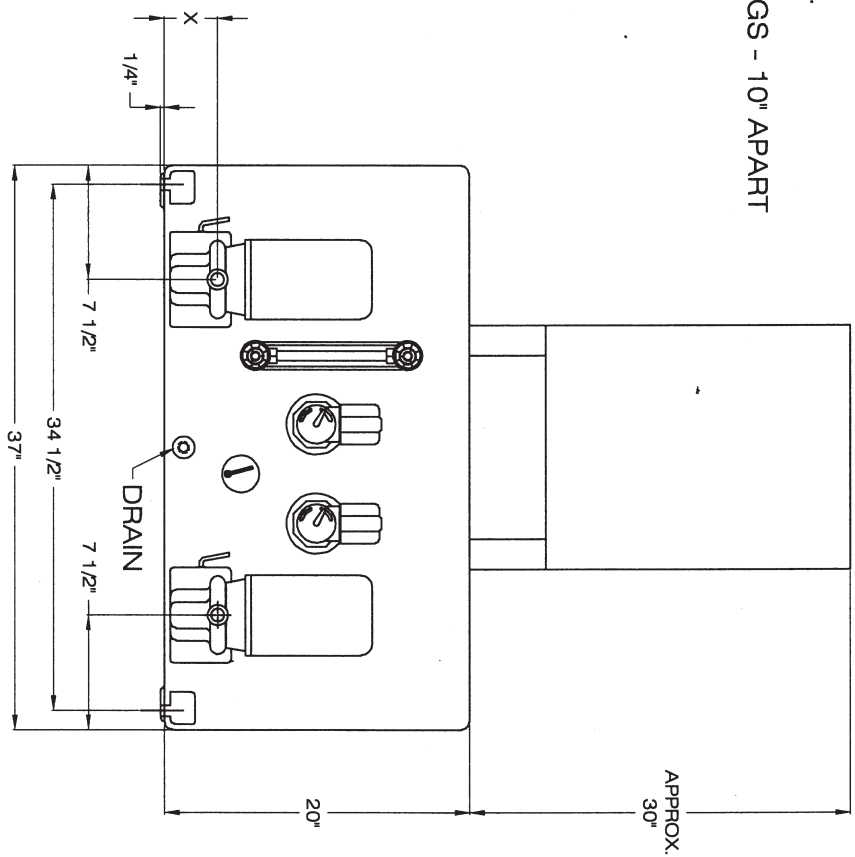
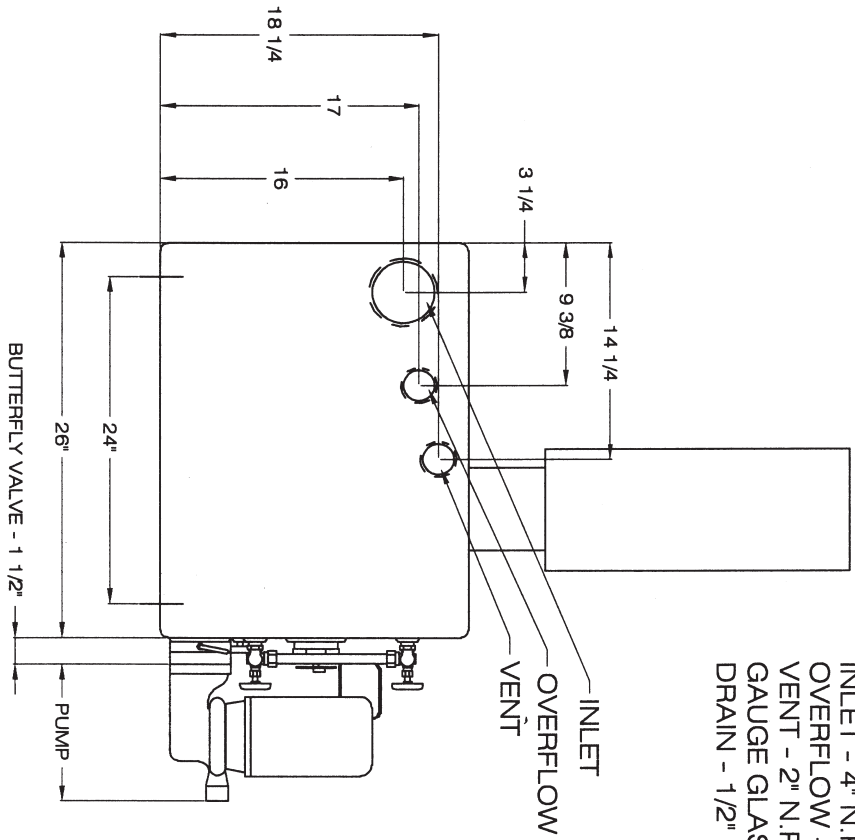


INLET - 4" N.P.T.  
 OVERFLOW - 2" N.P.T.  
 VENT - 2" N.P.T.  
 GAUGE GLASS FITTINGS - 10" APART  
 DRAIN - 1/2" N.P.T.



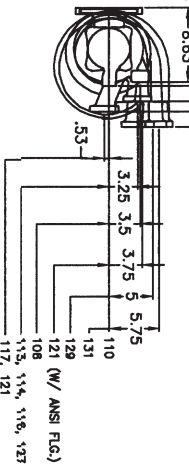
NOTE: ADAPTER FLANGE NOT NEEDED  
 FOR TYPES 114, 129 & 131

BUTTERFLY VALVE	SIZE	DIM. "A"
3	1 1/2"	2"
4	2"	2"

114, 129, 131	13.75
117, 121	12.07
116, 127	10.82
110	9
106	8.63

"X" DIMENSION		PUMP MODELS	
110	106	113, 116 & 127	117 & 121
3.13	3.31	4.19	3.82
			114 & 129
			UNDER 130 GPM
			130 GPM & OVER
			114 & 129
			6.32
			7.00

RECOMMENDED DISCHARGE NOZZLE SIZE CAPACITY CHART	3/4"	1" OR 1 1/2"
0-15	3/4"	1" OR 1 1/2"
16-60	1"	2"
61-113	2"	2 1/2"
114-150	3"	4"
151-250	4"	
251-400		



**SHIPCO®**  
 SHIPCO PUMPS

MANUFACTURED BY  
 SHIPPENSBURG PUMP COMPANY INC.  
 P.O. Box 279 Shippensburg, Pa. 17257  
 PHONE 717 532-7321 / FAX 717 532-7704  
 WWW.SHIPCO-PUMPS.COM  
 SHIPCO® IS A REGISTERED TRADEMARK OF SHIPPENSBURG PUMP CO., INC.

**TYPE ECC & DC & PC**  
**FLOOR-MOUNTED 80 GAL. C.L. REC.**

DRAWN BY	DATE	REVISION
A. DAMORE	3/04	7