

B&G Hoffman Specialty Boiler Feed Pumps

Hoffman Boiler Feed Pumps for Steam Heating Systems

These Hoffman Specialty vertical boiler feed pumps take up a small foot print on your boiler room floor. All stock motors are 115/230V, spinning the pump's impeller at 3500 rpm. Includes heavy-gauge steel receiver with gauge glass and mechanical make-up valve with adjustable level control. These pumps are designed to handle condensate up to 200° F.

Simplex Model

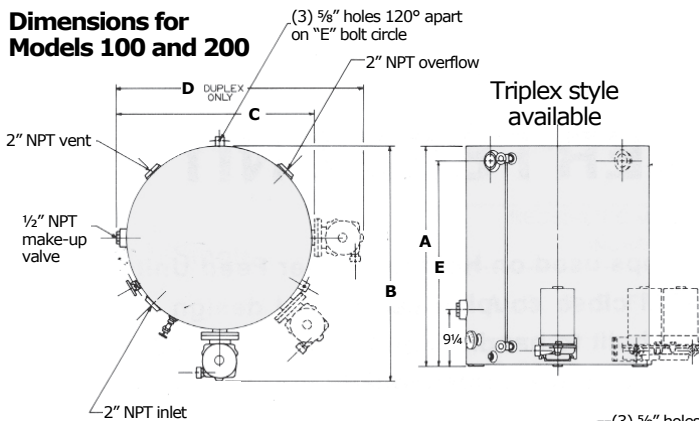


Duplex Model



Model No.	Maximum Boiler HP Rating	Pump Style	Pump GPM	Discharge Pressure	Motor HP 115/230V	Tank Size (gallons)	Inlet Pipe Size	Discharge Pipe Size	Inlet Height	Order No.
30 VBF	30	Simplex 1 pump and motor	9	20	1/3	30	2	3/4"	17 3/4	HM1095
50 VBF	50		15			50			27 3/4	HM1100
100 VBF	100		15			100			33 3/4	HM1105
200 VBF-20	200		30	200	45 3/4	HM1110				
200 VBF-30	200		30		30	45 3/4			HM1115	
30 VBDF	30	Duplex 2 pumps and motors	9	20	1/3	30	2	3/4"	17 3/4	HM1117
50 VBFD	50		15			50			27 3/4	HM1120
100 VBFD	100		15			100			33 3/4	HM1125
200 VBFD-20	200		30	200	45 3/4	HM1130				
200 VBFD-30	200		30		30	45 3/4			HM1135	

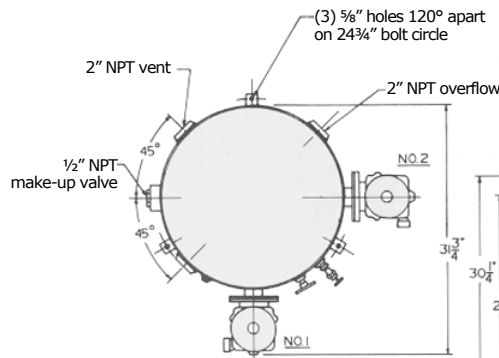
Dimensions for Models 100 and 200



Letter	Dimensions by Model			
	30	50	100	200
A	20 1/4	See Sizing below	36 1/4	48 1/2
B	31		38 3/4	46
C	28		32 1/2	36 7/8
D	31		39 5/8	46
E	17 3/4		31 1/2	37 1/2
Inlet Height	17 3/4	27 3/4	33 3/4	45 3/4

Replacement pumps, motors and repair parts available for next day shipping!

Please call us with the model number of your pump. We'll determine the replacement components you need. In most cases we can ship the product to you within 24-hours.



Dimensions for Model 50

