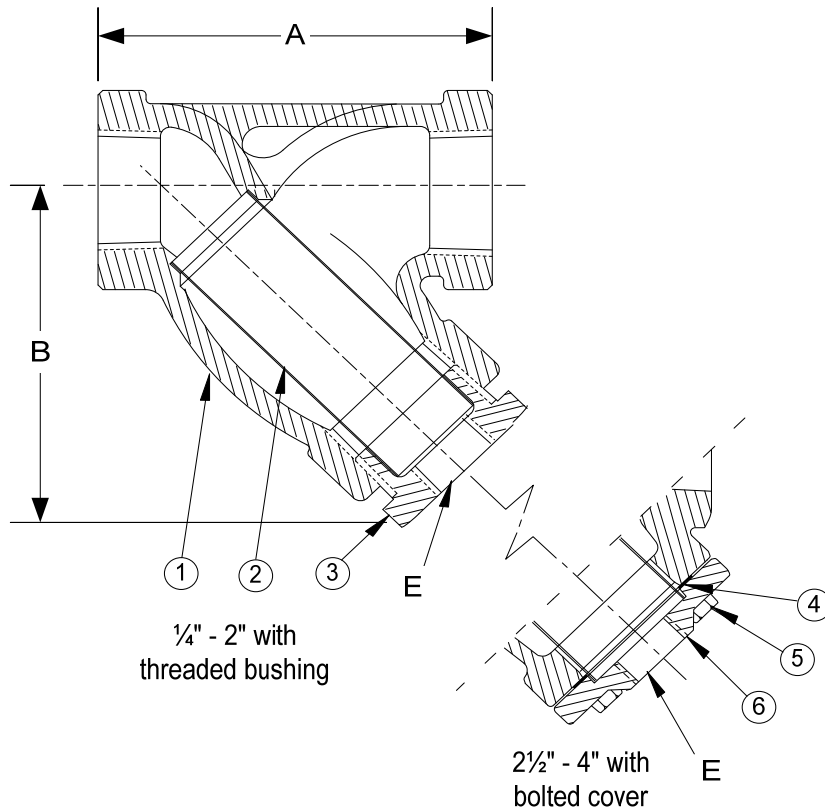


DRAWING NO.
AL 73185



BODY PRESSURE & TEMPERATURE RATINGS – NON SHOCK		
NOM. RATING	MEDIA	1/4" to 4"
250# (THREADED)	STEAM	250 PSI @ 406°F
	W.O.G.	400 PSI @ 150°F

PARTS LIST		
ITEM	DESCRIPTION	MATERIAL
1	BODY	CAST IRON (ASTM A 126, CLASS B)
2	SCREEN	STAINLESS STEEL (304)
3	BUSHING	MALLEABLE IRON
4	GASKET*	COMPOSITION
5	CAP SCREW*	STEEL
6	COVER*	CAST IRON (ASTM A 126, CLASS B)

Optional: Blow-off Plug, Malleable Iron

*2 1/2", 3" * 4" ONLY

Product Number†	SIZE	DIMENSIONS			COVER		WEIGHT
		A	B	E	No. of Bolts	Size of Bolts	
1/43THY-CIM20M34-NT	1/4	3	2-5/8	3/8	--	--	1.75
3/83THY-CIM20M34-NT	3/8	3	2-5/8	3/8	--	--	1.75
1/23THY-CIM20M34-NT	1/2	3	2-5/8	3/8	--	--	2
3/43THY-CIM20M34-NT	3/4	4	3-5/8	1/2	--	--	3
13THY-CIM20M34-NT	1	4-7/8	4-1/2	3/4	--	--	4.5
11/43THY-CIM20M34-NT	1-1/4	5-1/8	4-3/4	3/4	--	--	6
11/23THY-CIM20M34-NT	1-1/2	5-3/4	4-7/8	1	--	--	8
23THY-CIM20M34-NT	2	7-1/4	5-3/4	1-1/4	--	--	15.5
21/23THY-CI062P34-FB	2-1/2	8-7/8	7-1/2	1-1/4	4	1/2-13 x 1-1/2	25
33THY-CI062P34-FB	3	10	8	1-1/2	4	1/2-13 x 1-1/2	36
43THY-CI062P34-FB	4	15-1/4	12-1/2	2	8	3/4-10 x 2	95

†See "Style B Product Number Configuration" for additional options.

STANDARD SCREENS SUPPLIED

SIZE in	SCREEN GAGE	SCREEN PERFORATION			
		FOR STEAM in	OPEN AREA	FOR LIQUID in	OPEN AREA
1/4 to 2		20 MESH STAINLESS STEEL			49%
2-1/2 to 4	28	3/64	33%	1/16	30%

Standard screens supplied are for **liquid service**, unless otherwise specified.
Options: Other meshes, perforations, and screen materials are available.

KECKLEY

3400 CLEVELAND

SKOKIE ILLINOIS

DRAWING NO.
AL 73185

DIMENSIONAL ASSEMBLY

PART NO.

1/4" to 4" 250# Threaded Style B

SCALE: NTS

DATE: 07/01/2011

MAT'L: Cast Iron

REQ. ---

DR. BY DSF