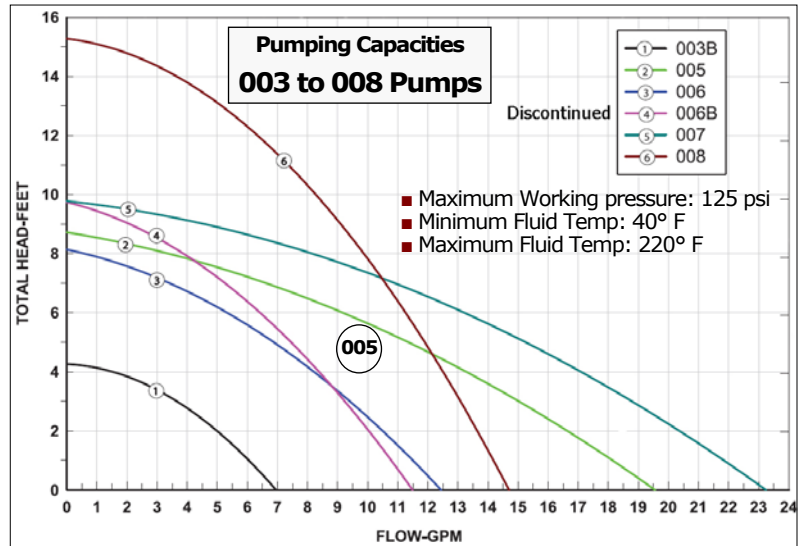


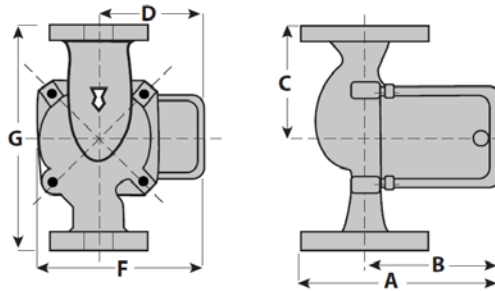
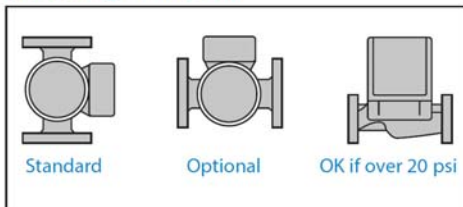
# Taco 005 Cast Iron or Stainless Steel Circulating Pumps



**Taco 005** Cast Iron or Stainless Steel pumps for circulating hot or chilled fresh water (cast iron) or domestic water (stainless steel).  
**Applications** include: Domestic hot water, heat recovery units, boiler systems and more!  
 ■ 115V, 1/35HP motor  
 ■ .54 amps, 3250 RPM



## Mounting Positions



## Pump Dimensions, inches

Pump Model	A	B	C	D	F	G	Wgt. lbs.
005-F2	5 5/8	4 1/8	2 1/4	3	3 1/4	4 3/8	8.0
005-SF2	5 1/8	4 1/8	2 1/8	3	3 1/4	4 1/4	7.0

Taco 005 Circulating Pumps							Repair Parts			
Pump No.	Wgt. lbs.	Pump Connection	Flange Pipe Sizes	Motor 3250 RPM .54 Amps, 60 Hz	Cast Iron Order No.	Stainless Steel Order No.	Repair Cartridge	Casing O-Ring	Flange Gaskets (pair)	Capacitor
005-F2	8.0	Std. Flange	3/4 to 1 1/2	1/35 HP, 115V	<b>TC1099</b>	—	<b>TD1399</b>	<b>TD1409</b>	<b>TD1407</b>	<b>TD1405</b>
005-SF2	7.0	Std. Flange	3/4 to 1 1/2	1/35 HP, 115V	—	<b>TC1099A</b>	<b>TD1401</b>			

**Cast Iron Flanges, pair** Also order pair of Flange Gaskets.

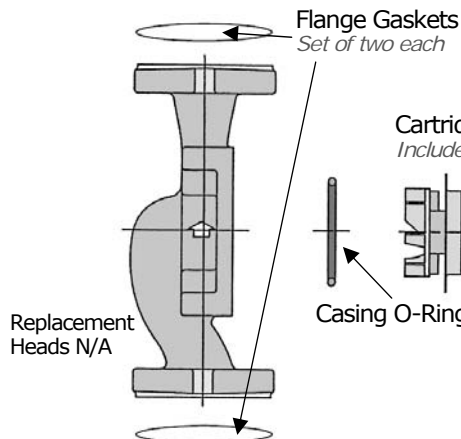
Pipe Size	3/4"	1"	1 1/4"	1 1/2"
<b>Order No.</b>	<b>TD1437</b>	<b>TD1440</b>	<b>TD1443</b>	<b>TD1446</b>

**Stainless Steel Flanges, pair** Also order pair of Flange Gaskets.

Pipe Size	3/4"	1"	1 1/4"	1 1/2"
<b>Order No.</b>	<b>TD1439</b>	<b>TD1442</b>	<b>TD1445</b>	<b>TD1448</b>

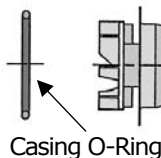
## Flanges, pair

Cast Iron Shown.  
Includes nuts and bolts.

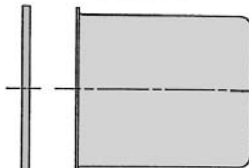


## Repair Parts

Cartridge Assembly  
Includes Casing O-Ring



Capacitor



NOTE: Casing O-Ring and Cartridge Assembly replacement parts include casing body bolts.