

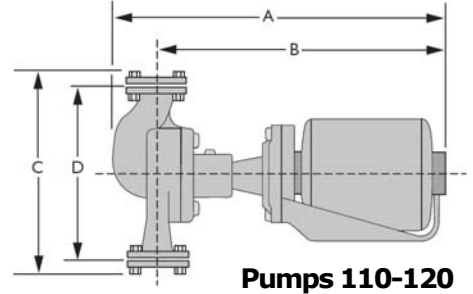
Taco Series 110, 111, 112, 113, 120 Pumps & Parts



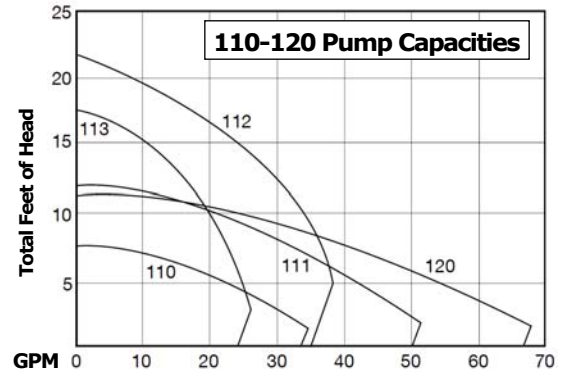
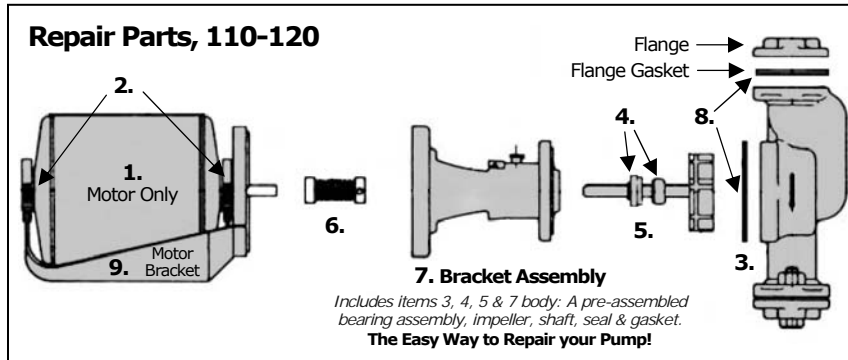
Available in Cast Iron, Bronze or Stainless Steel Construction.

- Circulates chilled & hot water
- System temperatures to 240°
- Equipped with sleeve bearings for quiet operation and a durable one-piece spring coupling
- Choose from Cast Iron (standard heating), or bronze or 1/2 Stainless Steel construction for potable or harsh water.
- Resilient mounted split phase motor with built-in overload protection.
- Includes pair of flange gaskets and tube of lube oil.

Dimensions



110 to 120 Taco Pumps					Replacement Motor		Dimensions, inches			
Pump No.	Flange Pipe Size	Motor 115V HP & RPM	Cast Iron Construction	Stainless Steel Construction	1. Motor Only	2. Motor Mount Set	A	B	C	D
110	Select from 3/4" to 1 1/2" flanges to mate pump to your piping.	1/12, 1725	TC1115	TC1120	TD1029	See Ordering Table at bottom of page.	14-7/8	12-5/8	7-7/8	6-5/16
111		1/8, 1725	TC1125	TC1130	TD1006		16-1/4	13-7/8	10-1/4	8-3/4
112		1/3, 3450	TC1135	TC1140	TD1462		16-1/2	14-1/2	7-7/8	6-3/8
113		1/8, 1725	TC1145	TC1150	TD1006		16-1/4	14	10-1/8	8-1/2
120		1/6, 1725	TC1155	TC1160	TD1478		16-7/8	14-1/4	13-1/2	11



Repair Parts Ordering Guide

Repair Part Description	3. Body Gasket	4. Seal Assembly	5. Impeller, Seal & Shaft for Cast Iron	5. Impeller, Seal & Shaft for Bronze	6. Coupler	7. Bracket Assembly Cast Iron	7. Bracket Assembly Bronze Fitted	7. Bracket Assembly All Bronze	7. Bracket Assembly Stainless Steel	8. Gasket Kit Flange (2) & Body Gasket	9. Motor Bracket Only	
Pump Model	Repair Part Order No.											
HC and 117	TD1450	TD1030	TD1436		TD1005	TD1060		TD1061	TD1434	TD1434	TD1433	
HDH Obsolete	TD1467		TD1459			TD1065		TD1066				TD1069
110/110B	TD1450		TD1436			TD1060		TD1061				
111/111B	TD1467		TD1459			TD1065		TD1066				
112/112C/112B	TD1450		TD1460	TD1461		TD1065		TD1463			TD1463	
113/113C/113B	TD1467		TD1465			TD1070		TD1069				
120-1 to 120-5	TD1467		TD1470	TD1471		TD1475	TD1477	TD1476			TD1474	
120-6 to 120-12	TD1467		TD1468	TD1469		TD1075	TD1473	TD1476				

Replacement Pump Mating Flanges & Gaskets: 110 to 120 Pumps

Flanges for 110-120	3/4"	1"	1 1/4"	1 1/2"
Cast Iron, NPT	TD1438	TD1441	TD1444	TD1447
Bronze, Sweat	TD1451	TD1452	TD1453	TD1454
Stainless Steel, NPT	TD1439	TD1442	TD1445	TD1448
Flange Gaskets	110 to 113	120-1 to 120-5	120-6 to 120-13	
Flange Gaskets	TD1449	TD1466	TD1014	

2. Motor Mounts: Based on Brand Name & HP of motor

Motor Mounts for Marathon & Emerson Motors: 1/12 to 1/2HP	Motor Mounts for GE Motors from 1/12 to 1/2HP
TD1040	TD1035
Motor Mounts for GE Motors from 3/4 to 2HP	Motor Mounts for Emerson Motors from 3/4 to 2HP
TD1045	TD1046