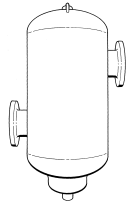


JOB:	REPRESENTATIVE:	
UNIT TAG:	ORDER NO.	DATE:
ENGINEER:	SUBMITTED BY:	DATE:
CONTRACTOR:	APPROVED BY:	DATE:



The Sediment Removal Separator

DESCRIPTION

The Sediment Removal Separator is designed with tangential nozzles which create a centrifugal action within the separator that causes undissolved particles to be thrown against the inside diameter of the tank. It then falls to the bottom to be collected and either manually or automatically discharged from the tank. The centrifugal action also creates a low velocity vortex where air is separated and removed from the circulating water.

MATERIALS OF CONSTRUCTION

Body: Steel
 Air Collector Tube: Stainless Steel

MAXIMUM OPERATIONAL LIMITS

Maximum Design Temperature 125 psig (865 kPa)
 Maximum Operational Temperature: 350 °F (177 °C)

MODEL NO	CAPACITY GPM (M ³ /Hr)	TANGENTIAL OPENING SIZE	TAGGING INFORMATION	QUANTITY
SRS 3F	190	3" NPT		
SRS 3F	190	3" Flanged		
SRS 4F	300	4" Flanged		
SRS 5F	530	5" Flanged		
SRS 6F	850	6" Flanged		
SRS 8F	1900	8" Flanged		
SRS 10F	3600	10" Flanged		
SRS 12F	4800	12" Flanged		
SRS 3G	190	3" Grooved		
SRS 4G	300	4" Grooved		
SRS 5G	530	5" Grooved		
SRS 6G	850	6" Grooved		
SRS 8G	1900	8" Grooved		
SRS 10G	3600	10" Grooved		
SRS 12G	4800	12" Grooved		

TYPICAL SPECIFICATIONS

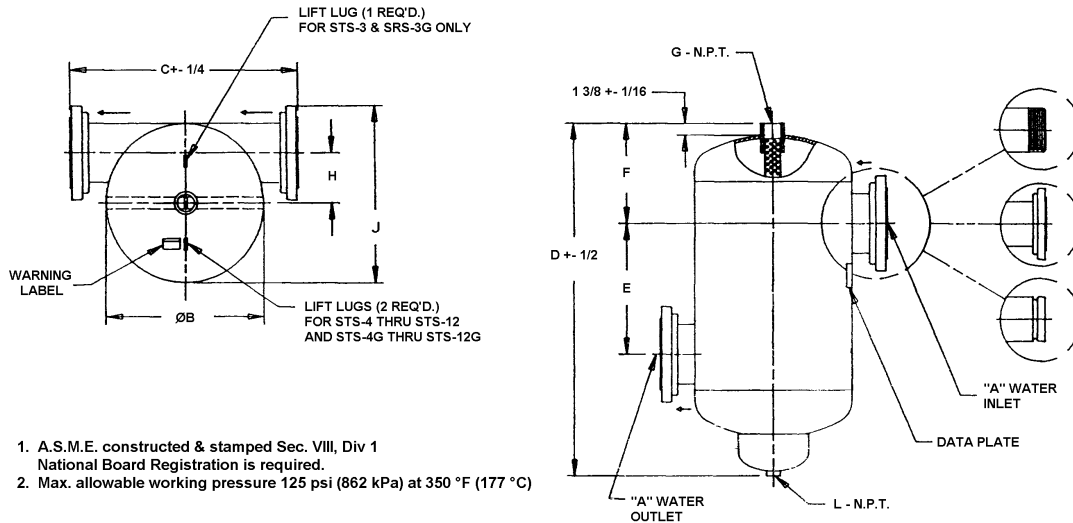
Furnish and install, as shown on the plans, a centrifugal type sediment removal separator. The unit shall have _____" inlet and outlet connections tangential to the vessel shell. Vessel shell diameter is to be three times the nominal inlet/outlet pipe diameter. The unit shall have a solid separation efficiency of 98% of 200 mesh sand and water solution, and be capable of heavier-than-water, undissolved sediment separation of at least 40 microns. The unit shall be capable of air separation and elimination.

The unit shall have a welded sump at the bottom to collect sediment separated out by centrifugal action. Connections are to be provided by the contractor to purge the unit of collected sediment either manually or automatically.

The sediment removal separator must be designed, constructed and stamped for 125 psig @ 350 °F in accordance with Section VIII, Division I of the ASME Boiler and Pressure Vessel Code, and registered with the National Board of Boiler and Pressure Vessel Inspectors.

A manufacturer's Data Report for Pressure Vessels, Form U-1 as required by the provisions of the ASME Boiler and Pressure Vessel Code shall be furnished for each sediment removal separator upon request.

Each sediment removal separator shall be ITT Bell & Gossett Model No. _____ for _____ GPM.



1. A.S.M.E. constructed & stamped Sec. VIII, Div 1 National Board Registration is required.
2. Max. allowable working pressure 125 psi (862 kPa) at 350 °F (177 °C)

DIMENSIONS - INCHES (MM)

CAT. NO.	SIZE OF TANGENTIAL OPENINGS	B (MM)	C (MM)	D (MM)	E (MM)	F (MM)	G	H (MM)	J (MM)	L	APPROX. SHPG. WT. LBS. (Kg)
SRS 3N	3" NPT	10-3/4 (273)	16-3/4 (425)	26 (660)	8 (203)	8-1/16 (205)	1-1/4 (32)	3-11/16 (94)	10-3/4 (273)	1 (25)	68 (31)
SRS 3	3" Flanged	10-3/4 (273)	C.F. (425)	26 (660)	8 (203)	8-1/16 (205)	1-1/4 (32)	3-11/16 (94)	10-3/4 (273)	1 (25)	68 (31)
SRS 4F	4" Flanged	12-3/4 (324)	20-1/2 (521)	31-1/8 (791)	10 (254)	9-1/2 (241)	1-1/2 (38)	4-1/8 (105)	15 (381)	1 (25)	105 (48)
SRS 5F	5" Flanged	16 (406)	23-3/4 (603)	36-5/8 (930)	12 (305)	10-15/16 (278)	1-1/2 (38)	5-1/4 (133)	18-1/4 (464)	1 (25)	167 (76)
SRS 6F	6" Flanged	18 (457)	25-3/4 (654)	43-1/2 (1105)	14 (356)	13-1/4 (337)	1-1/2 (38)	5-11/16 (144)	20-3/16 (513)	1 (25)	217 (98)
SRS 8F	8" Flanged	24 (610)	31-3/4 (806)	55 (1397)	18 (457)	16-9/16 (421)	2 (51)	7-11/16 (195)	26-7/16 (672)	1 (25)	420 (191)
SRS 10F	10" Flanged	30 (762)	37-3/4 (959)	66-1/2 (1689)	22 (559)	20-1/16 (510)	2 (51)	9-5/8 (244)	32-5/8 (829)	1 (25)	660 (299)
SRS 12F	12" Flanged	36 (914)	46-3/4 (1187)	77-1/2 (1968)	27 (686)	22-5/8 (575)	2 (51)	11-5/8 (295)	39-1/8 (994)	1 (25)	1020 (463)
SRS 3G	3" Grooved	10-3/4 (273)	16-3/4 (425)	26 (660)	8 (203)	8-1/16 (205)	1-1/4 (32)	3-11/16 (94)	10-3/4 (273)	1 (25)	68 (31)
SRS 4G	4" Grooved	12-3/4 (324)	19-3/4 (502)	31-1/8 (791)	10 (254)	9-1/2 (241)	1-1/2 (38)	4-1/8 (105)	12-3/4 (324)	1 (25)	105 (48)
SRS 5G	5" Grooved	16 (406)	23 (584)	36-5/8 (930)	12 (305)	10-15/16 (278)	1-1/2 (38)	5-1/4 (133)	16 (406)	1 (25)	167 (76)
SRS 6G	6" Grooved	18 (457)	25 (635)	43-1/2 (1105)	14 (356)	13-1/4 (337)	1-1/2 (38)	5-11/16 (144)	18 (457)	1 (25)	217 (98)
SRS 8G	8" Grooved	24 (610)	31 (787)	55 (1397)	18 (457)	16-9/16 (421)	2 (51)	7-11/16 (195)	24 (610)	1 (25)	420 (191)
SRS 10G	10" Grooved	30 (762)	37 (940)	66-1/2 (1689)	22 (559)	20-1/16 (510)	2 (51)	9-5/8 (244)	30 (762)	1 (25)	660 (299)
SRS 12G	12" Grooved	36 (914)	46 (1168)	77-1/2 (1968)	27 (686)	22-5/8 (575)	2 (51)	11-5/8 (295)	36 (914)	1 (25)	1020 (463)

Dimensions are subject to change. Not to be used for construction purposes unless certified.
 SRS-3F includes welded flanges, not companion flanges.

Xylem Inc.
 8200 N. Austin Avenue
 Morton Grove, IL 60053
 Phone: (847)966-3700
 Fax: (847)965-8379
 www.bellgossett.com

