

Sloan Waterless Urinals

Save on Water, Sewage and Maintenance Costs!



- **Sloan's Water free Urinals reflect today's water conservation efforts.** They perform like a conventional urinal except... there is no water usage. The Water free Urinal installs easily to a 2" drain line, eliminates water and sewage costs and can reduce maintenance expenses.
- **Sloan Water free Urinals can help reduce maintenance costs and workloads.** Harsh chemical cleaners become unnecessary. Cleaning of the Water free Urinal is the same as standard urinals. Any mildly-acidic disinfectant cleaner can be used. No rim holes or mineral deposits to worry about, just a smooth dry surface. Conventional urinals with wet surfaces can become a breeding ground for bacterial growth and odors.
- **Since no water is used, the chemical reaction between urine and water, which typically causes odors, is eliminated.** Studies have shown Sloan Water free Urinals are odor-free and have lower levels of ammonia than flush urinals.
- **Sloan's Water free Urinals provide the convenience and comfort of touch-free operation promoting hygiene and cleanliness.**
- **An easily replaceable and disposable patented cartridge installs in seconds.** The recyclable cartridge can be disposed of in a landfill in accordance with local biodegradable regulations.

Quick return-on-investment:
Reduce water, sewage & maintenance costs \$150 to \$300 per year and pay for your new urinals in less than two years.

FEATURES

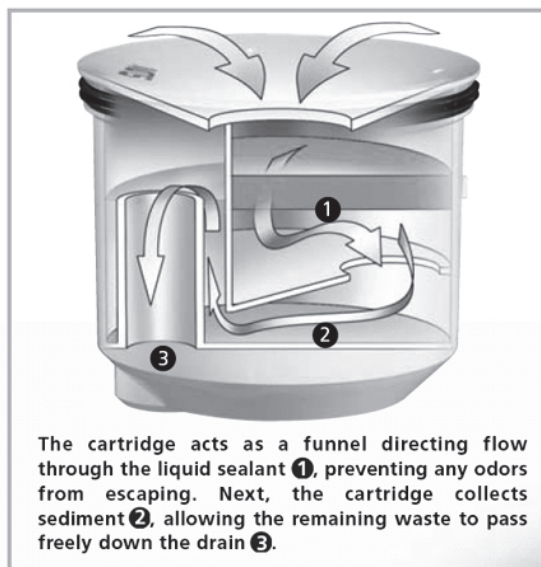
- Touch-free operation
- No water usage — Save 40,000 gallons of water per year (based on average usage) and the associated sewage fees.
- Vitreous china with Mechanical-free design
- Patented, sealed locking cartridge eliminates need to add blue seal-like liquid.
- Smooth, non-porous surfaces
- ADA compliant and Full size urinals
- Drains to a standard drain line
- No odor
- Start-up cartridge included
- Easy installation

BENEFITS

- Odor-free, vandal resistant
- Minimal care and cleaning
- Eliminates installation of water supply lines
- Reduces airborne bacteria

See [Product Specifications and Ordering Guide on the following page.](#)

The Waterless Drain Cartridge is Permanently Sealed with Liquid Sealant



The Drain Cartridge is the main component and is installed at the base of the urinal. A biodegradable sealant liquid is contained within the cartridge. A barrier is formed between the drain and the open air by the liquid sealant, eliminating odors. The cartridge is designed to collect uric sediment, the remaining liquid, which is non-corrosive and free of hard water, is allowed to flow into the drainage pipe. The result: no wasted water and an odor-free environment. Maintenance is performed by replacing the cartridge after 7,000 uses with a provided key. It's that simple!

Sloan Waterless Urinals

Waterless Urinal Specifications and Ordering Guide

WES-1000



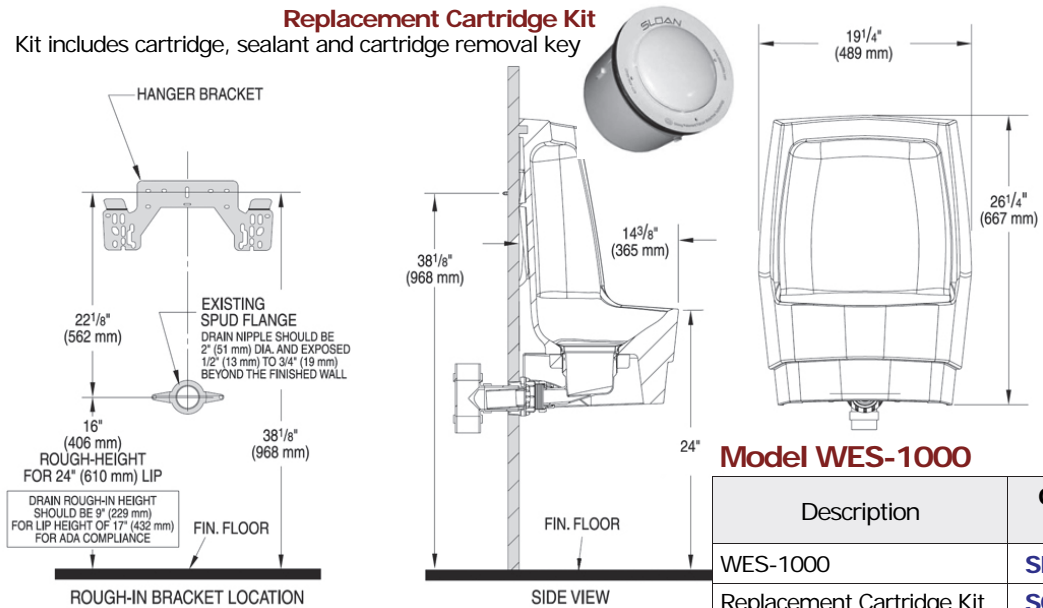
Sloan Waterless Urinals reduce water and sewer costs, maintenance and repair bills, and create more hygienic, odor-free restrooms. A Patented, Sealed Cartridge eliminates the need for water, typically conserving 40,000 gallons per unit per year. In addition, Sloan Waterless Urinals do not require costly supply piping to a flush valve on located on the urinal fixture.

Specifications for WES-1000

Wall hung, wall outlet, waterless, Vitreous China Urinal with the following features:
 ■ Vitreous China Fixture ■ Cartridge Housing (H-1, Mod. 3) ■ Cartridge Kit — Engineered to last for an average of 7000 uses ■ One piece Wall Bracket with Anchors Included ■ Uni-coupler (for new and retrofit installations) ■ Drain Line Test Cap
 Additional Cartridges sold separately. **Colors:** Standard White. Other colors available.

Replacement Cartridge Kit

Kit includes cartridge, sealant and cartridge removal key



Model WES-1000

Description	Order No.
WES-1000	SN2000
Replacement Cartridge Kit	SO1400
Cartridge is permanently sealed	

WES-4000



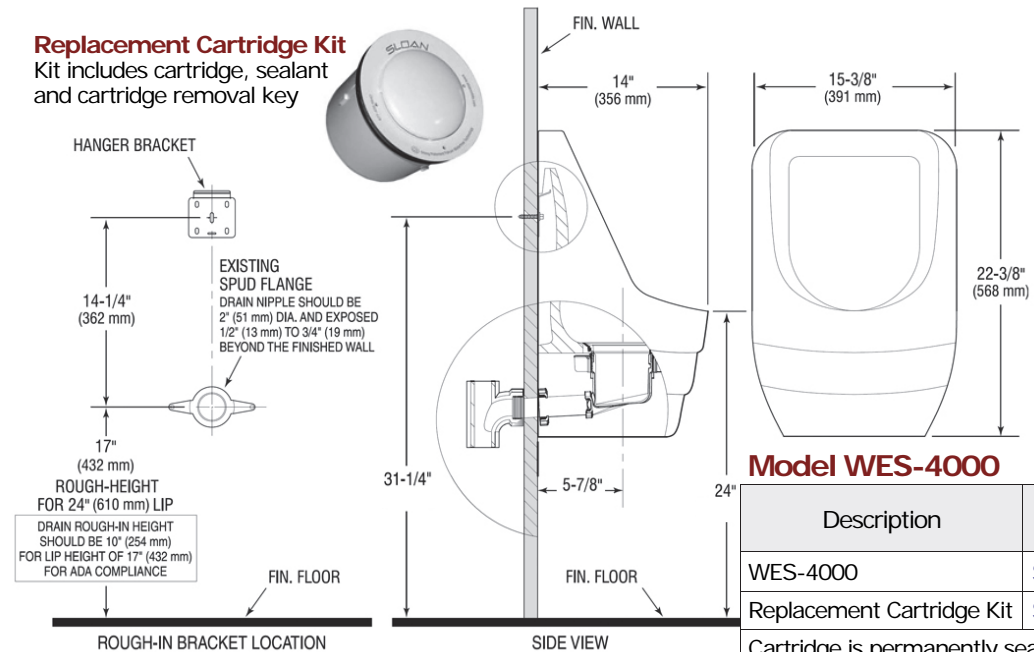
The patented cartridge is engineered to last for an average of 7000 uses and to receive waste through drain holes. Waste passes through an immiscible layer of biodegradable sealant, continues through a trap system, and flows over a baffle to prevent the loss of sealant. A discharge tube in the housing directs the flow of waste into the building drain system.

Specifications for WES-4000

Wall hung, wall outlet, waterless, Vitreous China Urinal with the following features:
 ■ Vitreous China Fixture ■ Cartridge Housing (H-1, Mod. 3) ■ Cartridge Kit — Engineered to last for an average of 7000 uses ■ One piece Wall Bracket with Anchors Included ■ Uni-coupler (for new and retrofit installations) ■ Drain Line Test Cap
 Additional Cartridges sold separately on next page. **Colors:** Standard White. Other colors available.

Replacement Cartridge Kit

Kit includes cartridge, sealant and cartridge removal key



Model WES-4000

Description	Order No.
WES-4000	SN2001
Replacement Cartridge Kit	SO1400
Cartridge is permanently sealed	