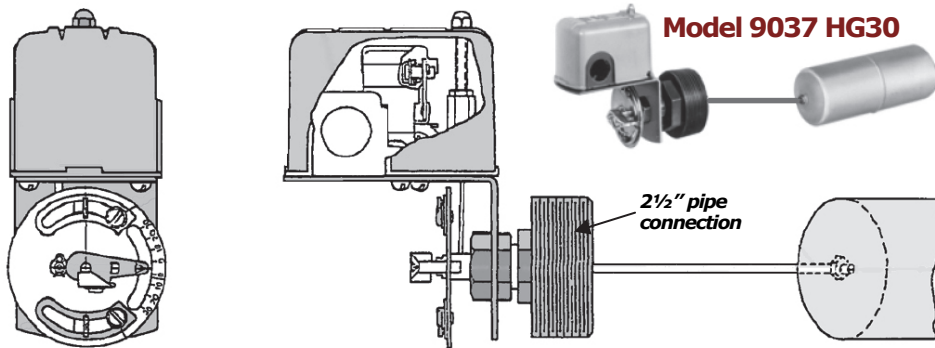


# Float Switches, Mechanical Alternators & Check Valves



## Square D, 9037 HG30 Float Switch Assembly

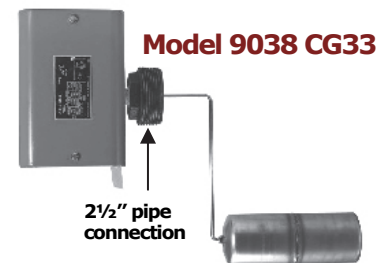
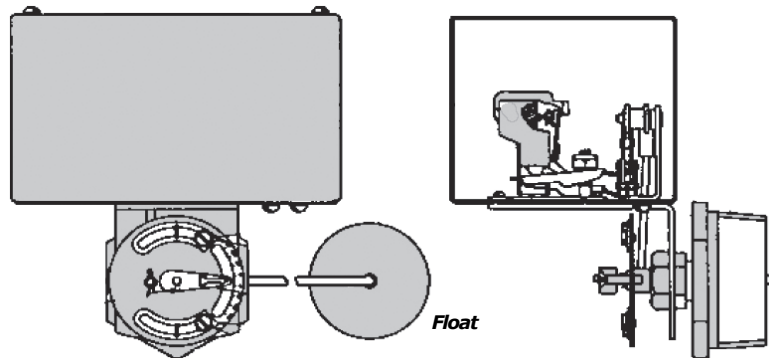
Attaches to the condensate tank via the 2-1/2" screw-in connection. An external pointer indicates float position within the tank. Rod and float are stainless steel. Normally used in condensate tanks and similar applications. Switch will withstand tank pressures up to 50 psi at temperatures up to 220° F. A Buna-N Quad-Ring™ seal is used between the float rod and sealing connector.

Complete Float Switch Assembly	<b>Order No.</b>
Square D, Model 9037 HG30, 2-1/2" pipe connection	<b>SF5005</b>

## Square D, 9038 CG33 Mechanical Alternator

Mechanical alternators are used within condensate tanks to alternate pump usage when two pumps are present. Also, if the float rises above a certain set-point, the second pump will kick-on to help discharge the accumulating water.

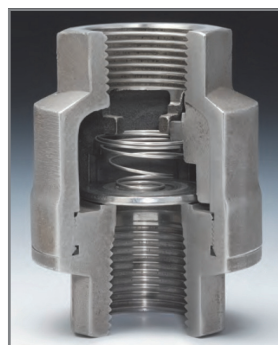
- Model 9038 CG33 mounts directly to the condensate tank via a 2-1/2" male pipe connection threaded fitting (see diagram).
- The pressure within the tank cannot exceed 100 pounds psi.
- Can be used with both single- or three-phase pump motors.



Complete Mechanical Alternator Assembly	<b>Order No.</b>
Square D, Model 9038 CG33, 2-1/2" pipe connection	<b>DL1366</b>

## Stainless Steel Boiler Feed Check Valves

**Model SCV** is a stainless steel, non-slam check valve great for boiler feed applications and anywhere a corrosion-resistant check valve is needed. The Zelon body seal is rated to 470°F, and the Inconel X-750 spring withstands years of rugged use. Whether fluid, gas or steam the SCV provides tight shut-off and protects other equipment from water hammer. Stainless steel construction ensures longevity.



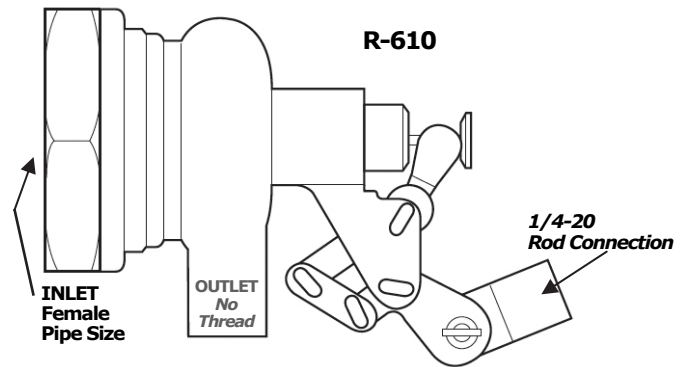
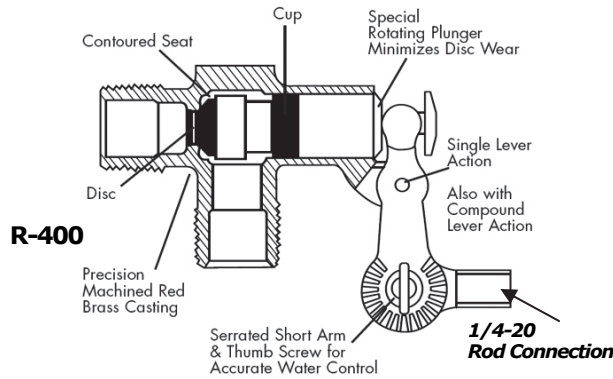
Boiler Feed Check Valve, Stainless Steel			
Model No.	Pipe Size	Features	Order No.
SCV	1/2"	<ul style="list-style-type: none"> <li>■ NPT pipe thread connections</li> <li>■ Rated to 470° F @ 125 psi</li> <li>■ Prevents water hammer</li> <li>■ Will not slam closed</li> <li>■ Positive shut-off</li> <li>■ Corrosion-Resistant</li> </ul>	<b>DP1100</b>
	3/4"		<b>DP1105</b>
	1"		<b>DP1110</b>
	1 1/4"		<b>DP1115</b>
	1 1/2"		<b>DP1120</b>
	2"		<b>DP1125</b>

# Brass Float Valves and Accessories

## Brass Float Valve Assemblies for Tanks and Water Feed Applications

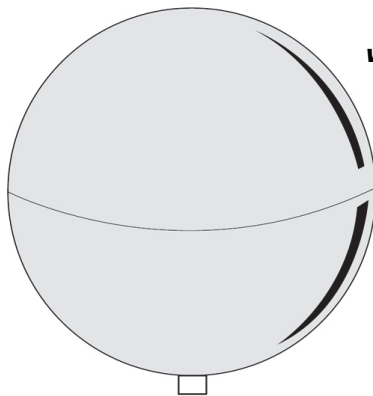
The **Model R-400** is a standard capacity, standard duty float valve with adjustable float arm tapped with a 1/4-20 female connection. The inlet and outlet is male iron pipe.

The **Model R-610** is a high-capacity, heavy-duty float valve with compound lever and rotating plunger, with adjustable float arm tapped with a 1/4-20 female connection. The inlet is female iron pipe; the outlet is not threaded.



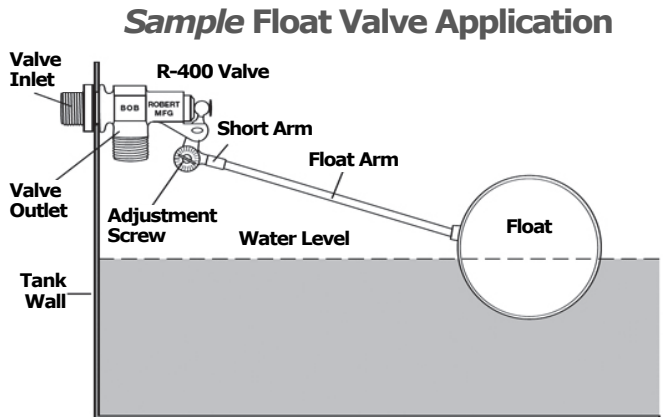
Model No.	Pipe Size	GPM flow @ 40psi	Order No.
R-400	1/2	18	<b>RJ1185</b>
R-400	3/4	32	<b>RJ1190</b>
R-400	1	47	<b>RJ1195</b>

Model No.	Pipe Size	GPM flow @ 40psi	Order No.
R-610	1-1/4	148	<b>RJ1200</b>
R-610	1-1/2	148	<b>RJ1205</b>
R-610	2	148	<b>RJ1210</b>



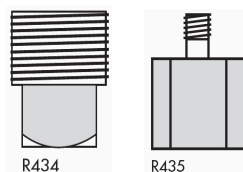
### Copper Floats with 1/4-20 Connections

Float Diameter	Order No.
3"	<b>RJ1145</b>
4"	<b>RJ1150</b>
5"	<b>RJ1155</b>
6"	<b>RJ1160</b>
7"	<b>RJ1165</b>
8"	<b>RJ1170</b>
10"	<b>RJ1175</b>
12"	<b>RJ1180</b>



### Float Adapters

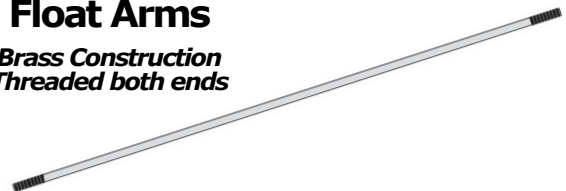
Float Rod x Pipe Size



Model No.	Pipe Size	Order No.
R434-0	1/4-20 x 3/8 male pipe	<b>RJ1005</b>
R434-3	1/4-20 x 1/2 male pipe	<b>RJ1010</b>
R435-2	1/4-20 x 1/4 female pipe	<b>RJ1015</b>
R435-3	1/4-20 x 3/8 female pipe	<b>RJ1020</b>
R435-5	1/4-20 x 1/2 female pipe	<b>RJ1025</b>
R434-1	5/16-18F x 3/8 male pipe	<b>RJ1030</b>
R434-11	3/8-16F x 3/8 male pipe	<b>RJ1135</b>
R434-13	3/8-16F x 1/2 male pipe	<b>RJ1140</b>

### Float Arms

Brass Construction Threaded both ends



Float Arms	Length	Order No.
Brass Construction	8"	<b>GU1290</b>
	9"	<b>GU1300</b>
	10"	<b>GU1310</b>
1/4-20 thread	12"	<b>RJ1035</b>
1/8 male pipe thread	12"	<b>RJ1040</b>