

Mepco 40, 42 & 44 Series F&T Traps & Repair Parts

Dunham-Bush is now called MEPCO

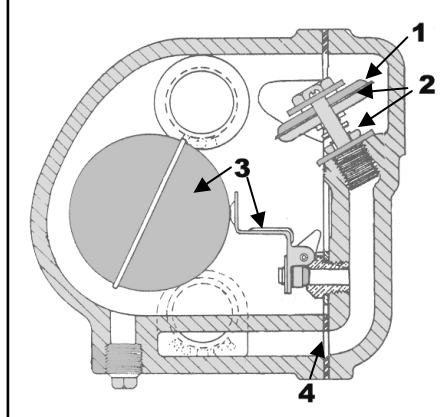
44 series float & thermostatic steam traps are the popular ones! Found in steam heating systems across North America. Replaced the 40 series. All use the same related parts.



42 series float & thermostatic traps often replace bucket traps in low-pressure steam heating. The straight-through piping design and thermostatic air vent provide a more efficient steam distribution operation.

The **44 Series** of MEPCO Float & Thermostatic Traps have Double Outlets & Double Inlets on each side of the trap. This new 44 Series design replaces the old 40 series which had only one inlet and outlet. The **42 series** is an line-line, straight through piping configuration. Often used to replace inverted bucket traps on low-pressure steam systems. The integral air vent removes air from system at start up.

Individual Parts: 40, 42 & 44 Series



Replacement Head Assembly



The Replacement Head Assembly is the easiest way to repair your 42/44 F&T traps: All the internal parts are pre-assembled to a new cover!

Complete Mepco F&T Traps						Related Repair Parts for all 40/42/44 traps				
44 Series Steam Traps	42 Series Steam Traps	Pipe Size	Max. Operating Pressure (lbs. psi)	44 Series Order No.	42 Series Order No.	1. Air Vent Only	2. Air Vent secured in Cage Assy. with Seat	3. Internal Mechanism with Stainless Steel Float	4. Cover Gasket	Replacement Head Assembly
44-215	42-215	¾"	15	DM1007	DM1007A	DN1020	DN1165	DN1125	DN1070	DN1200
44-415	42-415	1"		DM1012	DM1012A			DN1130	DN1075	DN1210
44-515	42-515	1 ¼"		DM1017	DM1017A			DN1135	DN1215	
44-715	42-715	1 ½"		DM1022	DM1022A			DN1139	DN1070	DN1218
44-230	42-230	¾"	30	DM1022A	DM1022E			DN1141	DN1075	DN1218A
44-430	42-430	1"		DM1022B	DM1022H			DN1139A	DN1218B	
44-530	42-530	1 ¼"		DM1022C	DM1022K			DN1140	DN1070	DN1220
44-730	42-730	1 ½"		DM1022D	DM1022M			DN1141	DN1075	DN1225
44-275	42-275	¾"	75	DM1036	DM1036A	DN1136	DN1075	DN1230		
44-475	42-475	1"		DM1037	DM1037A	DN1142	DN1070	DN1235		
44-575	42-575	1 ¼"		DM1038	DM1038A	DN1143	DN1075	DN1245		
44-775	42-775	1 ½"		DM1039	DM1039A	DN1146	DN1250			
44-2125	42-2125	¾"	125	DM1042	DM1042A			DN1235		
44-4125	42-4125	1"		DM1047	DM1047A			DN1240		
44-5125	42-5125	1 ¼"		DM1052	DM1052A			DN1245		
44-7125	42-7125	1 ½"		DM1053	DM1053A			DN1250		