

# DIMENSIONS & DATA CERTIFIED FOR:

Representative:

Order:

Customer:

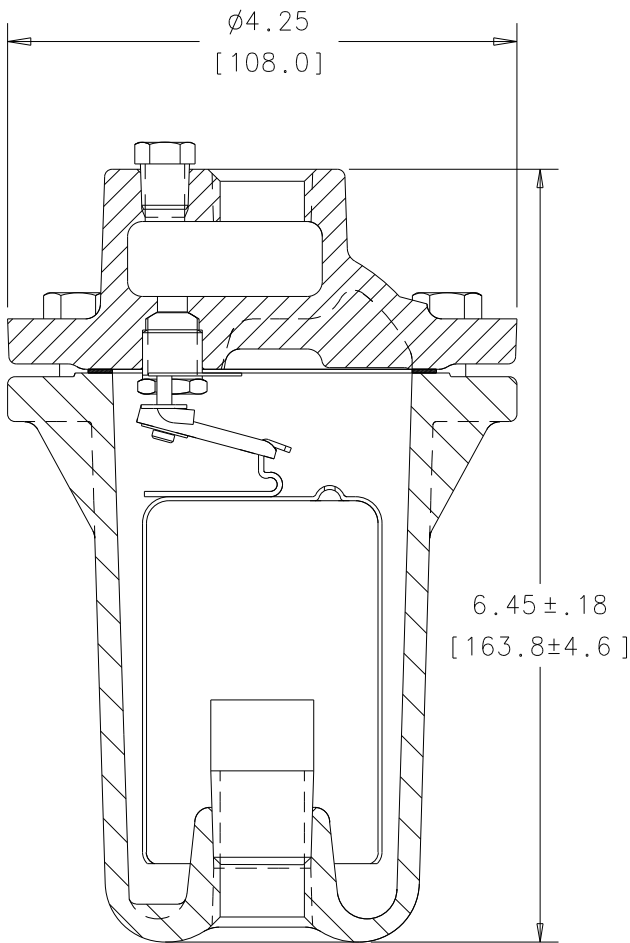
Order:

Project:

Requirements:

By:

Date:



## LIST OF MATERIALS:

NAME OF PART	MATERIAL
CAP & BODY	ASTM A48 CLASS 30
INLET TUBE	STEEL PIPE
GASKET	COMPRESSED NON-ASBESTOS
BOLT	SAE J429 GRADE 2
NUT	ASTM A563 GRADE A
VALVE & VALVE SEAT	HARDENED STAINLESS STEEL
VALVE RETAINER	STAINLESS STEEL
LEVER	
GUIDE PIN ASSEMBLY	
BUCKET	

## TECHNICAL INFORMATION

MODEL NO.	211
PIPE CONNECTIONS	1/2 [15]
TEST PLUG	1/8 [3]
*A* (FLANGE DIAMETER)	4.25 [108.0]
*B* (HEIGHT)	6.45 [163.8]
NUMBER OF BOLTS	6
WEIGHT lbs [kg]	6 [2.72]

## DESIGN INFORMATION

MAX. ALLOWABLE PRESSURE (Vessel Design)	250 psi @ 450° [17.2 bar @ 232°C]
MAX. OPERATING PRESSURE	250 psi [17.2 bar]

### OPTIONS:

CONNECTIONS - NPT OR BSPT	<input type="checkbox"/>
INTERNAL CHECK VALVE	<input type="checkbox"/>
THERMIC VENT BUCKET	<input type="checkbox"/>
BVSW - LIQUID DRAINER	<input type="checkbox"/>
LARGE VENT	<input type="checkbox"/>

NOTE: DIMENSIONS ARE IN INCHES [mm]

# DIMENSIONS & DATA CERTIFIED FOR:

Representative:

Order:

Customer:

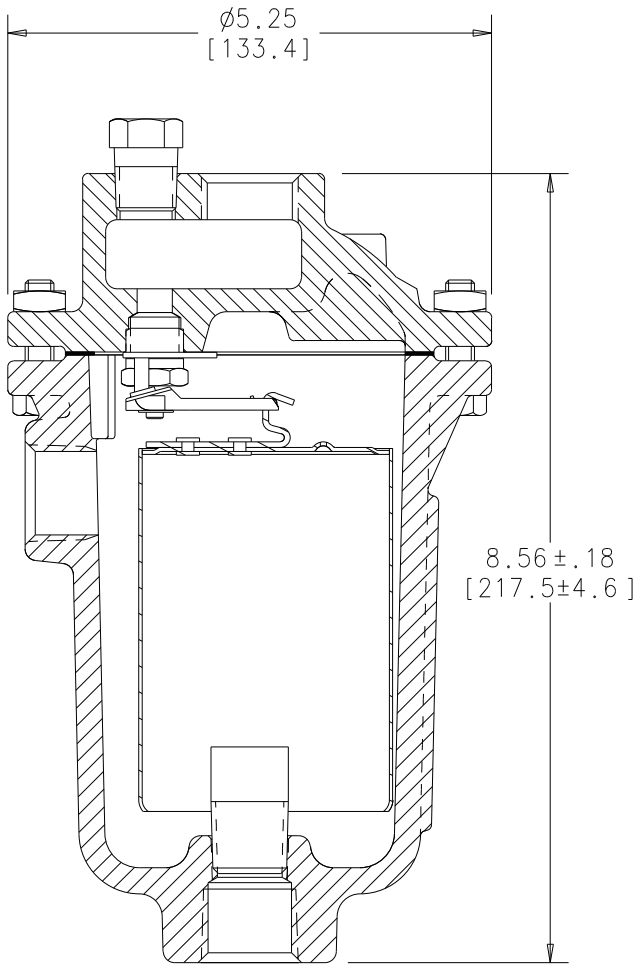
Order:

Project:

Requirements:

By:

Date:



## LIST OF MATERIALS:

NAME OF PART	MATERIAL
CAP & BODY	ASTM A48 CLASS 30
INLET TUBE	STEEL PIPE
GASKET	COMPRESSED NON-ASBESTOS
BOLT	SAE J429 GRADE 2
NUT	ASTM A563 GRADE A
VALVE & VALVE SEAT	HARDENED STAINLESS STEEL
VALVE RETAINER	STAINLESS STEEL
LEVER	
GUIDE PIN ASSEMBLY	
BUCKET	

## TECHNICAL INFORMATION

MODEL NO.	212
PIPE CONNECTIONS	1/2 [15], 3/4 [20]
TEST PLUG	3/8 [10]
*A* (FLANGE DIAMETER)	5.25 [133.4]
*B* (HEIGHT)	8.56 [217.5]
NUMBER OF BOLTS	8
WEIGHT lbs [kg]	11.50 [5.22]

## DESIGN INFORMATION

MAX. ALLOWABLE PRESSURE (Vessel Design)	250 psi @ 450° [17.2 bar @ 232°C]
MAX. OPERATING PRESSURE	250 psi [17.2 bar]

### OPTIONS:

CONNECTIONS - NPT OR BSPT	<input type="checkbox"/>
INTERNAL CHECK VALVE	<input type="checkbox"/>
THERMIC VENT BUCKET	<input type="checkbox"/>
BVSW - LIQUID DRAINER	<input type="checkbox"/>
LARGE VENT	<input type="checkbox"/>

NOTE: DIMENSIONS ARE IN INCHES [mm]

# DIMENSIONS & DATA CERTIFIED FOR:

Representative:

Order:

Customer:

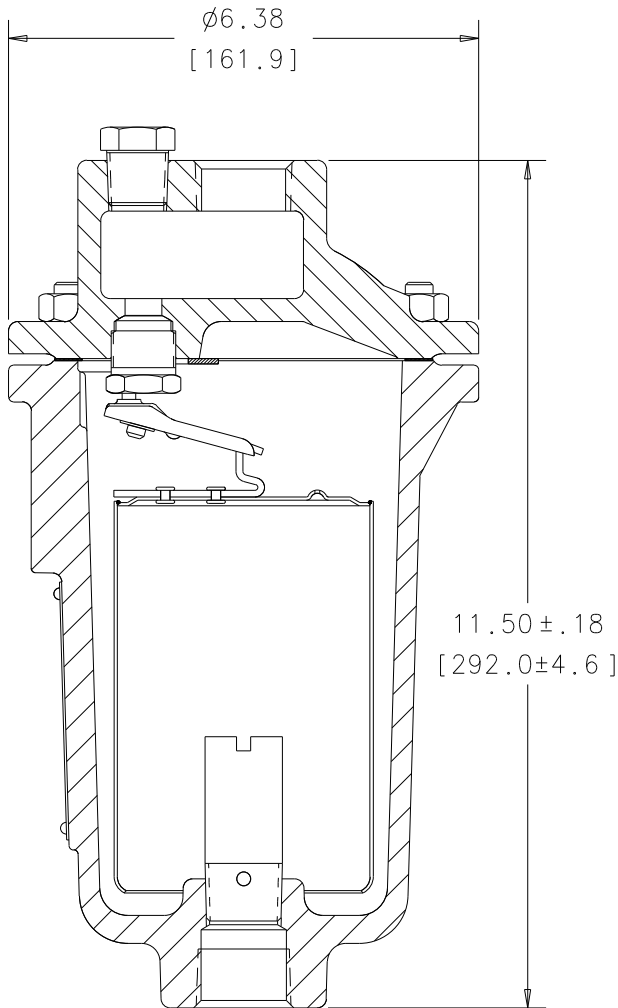
Order:

Project:

Requirements:

By:

Date:



## LIST OF MATERIALS:

NAME OF PART	MATERIAL
CAP & BODY	ASTM A48 CLASS 30
INLET TUBE	STEEL PIPE
GASKET	COMPRESSED NON-ASBESTOS
BOLT	SAE J429 GRADE 2
NUT	ASTM A563 GRADE A
VALVE & VALVE SEAT	HARDENED STAINLESS STEEL
VALVE RETAINER	STAINLESS STEEL
LEVER	
GUIDE PIN ASSEMBLY	
BUCKET	

## TECHNICAL INFORMATION

MODEL NO.	213
PIPE CONNECTIONS	1/2 [15], 3/4 [20], 1 [25]
TEST PLUG	1/2 [15]
*A* (FLANGE DIAMETER)	6.38 [162.1]
*B* (HEIGHT)	11.50 [292.1]
NUMBER OF BOLTS	6
WEIGHT lbs [kg]	20.25 [9.19]

## DESIGN INFORMATION

MAX. ALLOWABLE PRESSURE (Vessel Design)	250 psi @ 450° [17.2 bar @ 232°C]
MAX. OPERATING PRESSURE	250 psi [17.2 bar]

### OPTIONS:

CONNECTIONS - NPT OR BSPT	<input type="checkbox"/>
INTERNAL CHECK VALVE	<input type="checkbox"/>
THERMIC VENT BUCKET	<input type="checkbox"/>
BVSW - LIQUID DRAINER	<input type="checkbox"/>
LARGE VENT	<input type="checkbox"/>

NOTE: DIMENSIONS ARE IN INCHES [mm]

# DIMENSIONS & DATA CERTIFIED FOR:

Representative:

Order:

Customer:

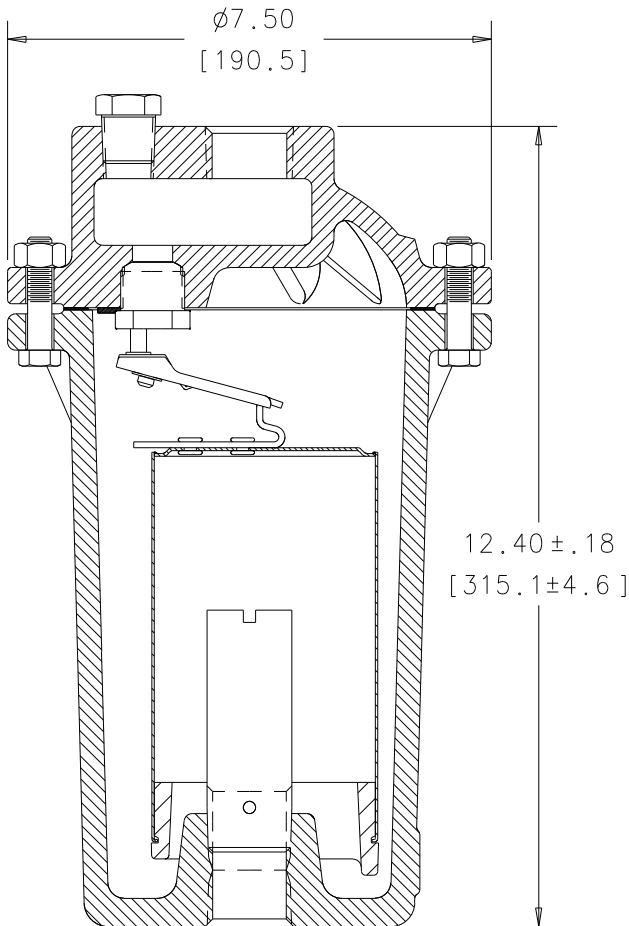
Order:

Project:

Requirements:

By:

Date:



## LIST OF MATERIALS:

NAME OF PART	MATERIAL
CAP & BODY	ASTM A48 CLASS 30
INLET TUBE	STEEL PIPE
GASKET	COMPRESSED NON-ASBESTOS
BOLT	SAE J429 GRADE 2
NUT	ASTM A563 GRADE A
VALVE & VALVE SEAT	HARDENED STAINLESS STEEL
VALVE RETAINER	STAINLESS STEEL
LEVER	
GUIDE PIN ASSEMBLY	
BUCKET	

## TECHNICAL INFORMATION

MODEL NO.	214
PIPE CONNECTIONS	1 [25], 1-1/4 [32]
TEST PLUG	1/2 [15]
*A* (FLANGE DIAMETER)	7.50 [190.5]
*B* (HEIGHT)	12.40 [315.1]
NUMBER OF BOLTS	8
WEIGHT lbs [kg]	33.00 [15.0]

## DESIGN INFORMATION

MAX. ALLOWABLE PRESSURE (Vessel Design)	250 psi @ 450° [17.2 bar @ 232°C]
MAX. OPERATING PRESSURE	250 psi [17.2 bar]

### OPTIONS:

CONNECTIONS - NPT OR BSPT	<input type="checkbox"/>
INTERNAL CHECK VALVE	<input type="checkbox"/>
THERMIC VENT BUCKET	<input type="checkbox"/>
BVSW - LIQUID DRAINER	<input type="checkbox"/>
LARGE VENT	<input type="checkbox"/>

NOTE: DIMENSIONS ARE IN INCHES [mm]



Product

ENGLISH

CD No.

Date

200 SERIES  
INVERTED BUCKET  
STEAM/AIR TRAPS

WEB  
Y | N

1001  
SHEET 4

07-20-09

Rev: B

By: FRANZEL

# DIMENSIONS & DATA CERTIFIED FOR:

Representative:

Order:

Customer:

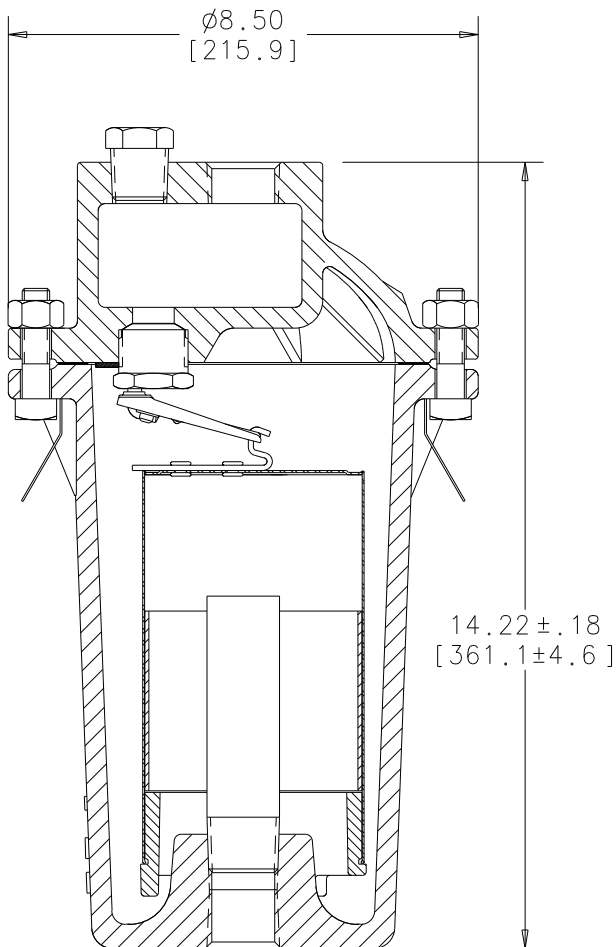
Order:

Project:

Requirements:

By:

Date:



## LIST OF MATERIALS:

NAME OF PART	MATERIAL
CAP & BODY	ASTM A48 CLASS 30
INLET TUBE	STEEL PIPE
GASKET	COMPRESSED NON-ASBESTOS
BOLT	SAE J429 GRADE 2
NUT	ASTM A563 GRADE A
VALVE & VALVE SEAT	HARDENED STAINLESS STEEL
VALVE RETAINER	STAINLESS STEEL
LEVER	
GUIDE PIN ASSEMBLY	
BUCKET	

## TECHNICAL INFORMATION

MODEL NO.	215
PIPE CONNECTIONS	1 [25], 1-1/4 [32], 1-1/2 [40]
TEST PLUG	3/4 [20]
*A* (FLANGE DIAMETER)	8.50 [215.9]
*B* (HEIGHT)	14.22 [363.5]
NUMBER OF BOLTS	8
WEIGHT lbs [kg]	44.75 [20.3]

## DESIGN INFORMATION

MAX. ALLOWABLE PRESSURE (Vessel Design)	250 psi @ 450° [17.2 bar @ 232°C]
MAX. OPERATING PRESSURE	250 psi [17.2 bar]

### OPTIONS:

CONNECTIONS - NPT OR BSPT	<input type="checkbox"/>
INTERNAL CHECK VALVE	<input type="checkbox"/>
THERMIC VENT BUCKET	<input type="checkbox"/>
BVSW - LIQUID DRAINER	<input type="checkbox"/>
LARGE VENT	<input type="checkbox"/>

NOTE: DIMENSIONS ARE IN INCHES [mm]



**Armstrong**  
www.armstronginternational.com

Product

200 SERIES  
INVERTED BUCKET  
STEAM/AIR TRAPS

ENGLISH

WEB  
Y | N

CD No.

1001  
SHEET 5

Date

07-20-09

Rev: B

By: FRANZEL

# DIMENSIONS & DATA CERTIFIED FOR:

Representative:

Order:

Customer:

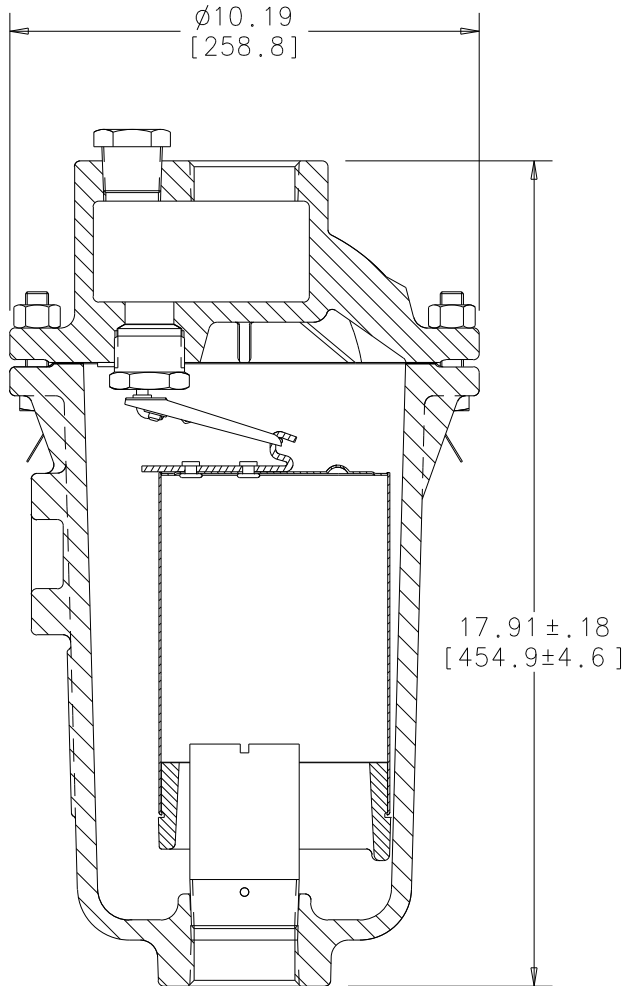
Order:

Project:

Requirements:

By:

Date:



## LIST OF MATERIALS:

NAME OF PART	MATERIAL
CAP & BODY	ASTM A48 CLASS 30
INLET TUBE	STEEL PIPE
GASKET	COMPRESSED NON-ASBESTOS
BOLT	SAE J429 GRADE 2
NUT	ASTM A563 GRADE A
VALVE & VALVE SEAT	HARDENED STAINLESS STEEL
VALVE RETAINER	STAINLESS STEEL
LEVER	
GUIDE PIN ASSEMBLY	
BUCKET	

## TECHNICAL INFORMATION

MODEL NO.	216
PIPE CONNECTIONS	1-1/2 [40], 2 [50]
TEST PLUG	1 [25]
*A* (FLANGE DIAMETER)	10.19 [258.8]
*B* (HEIGHT)	17.91 [454.9]
NUMBER OF BOLTS	12
WEIGHT lbs [kg]	77.50 [35.2]

## DESIGN INFORMATION

MAX. ALLOWABLE PRESSURE (Vessel Design)	250 psi @ 450° [17.2 bar @ 232°C]
MAX. OPERATING PRESSURE	250 psi [17.2 bar]

### OPTIONS:

CONNECTIONS - NPT OR BSPT	<input type="checkbox"/>
INTERNAL CHECK VALVE	<input type="checkbox"/>
THERMIC VENT BUCKET	<input type="checkbox"/>
BVSW - LIQUID DRAINER	<input type="checkbox"/>
LARGE VENT	<input type="checkbox"/>

NOTE: DIMENSIONS ARE IN INCHES [mm]