

JOB: UNIT TAG: ENGINEER: CONTRACTOR:	REPRESENTATIVE: SUBMITTED BY: APPROVED BY: DATE: DATE:
---	---



1-1/2A

Series "90"

Centrifugal Pumps
Vertical In-Line Mounted - Close Coupled

SPECIFICATIONS

FLOW _____ HEAD _____
 HP _____ RPM _____
 VOLTS _____
 CYCLE _____ PHASE _____
 ENCLOSURE _____
 APPROX. WEIGHT _____
 SPECIALS _____

MATERIALS OF CONSTRUCTION

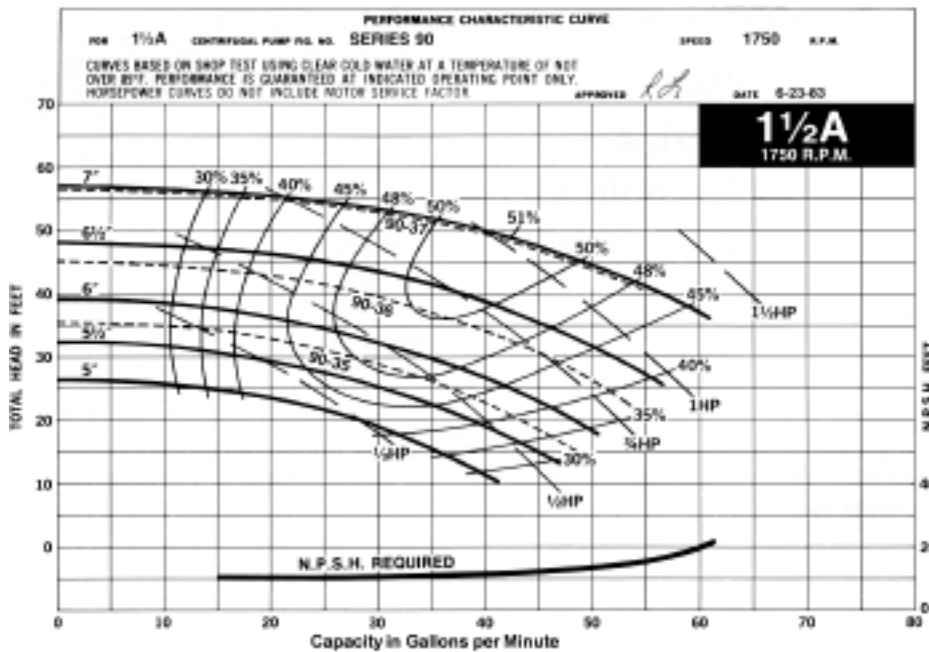
BRONZE FITTED ALL BRONZE †
 †Option Not Available with 3HP 1800RPM or 7-1/2 - 15HP 3600RPM ratings.

TYPE OF SEAL

90 Standard Seal (Buna-Carbon/Ceramic)
 Optional Seal (EPR Carbon/Tungsten Carbide)

MAXIMUM WORKING PRESSURE

175 psi (12 bar) W.P.



JOB: _____ UNIT TAG: _____ ENGINEER: _____ CONTRACTOR: _____	REPRESENTATIVE: _____ SUBMITTED BY: _____ APPROVED BY: _____	DATE: _____ DATE: _____
---	--	--------------------------------



1-1/2A

Series "90"

Centrifugal Pumps
Vertical In-Line Mounted - Close Coupled

SPECIFICATIONS

FLOW _____ HEAD _____
 HP _____ RPM _____
 VOLTS _____
 CYCLE _____ PHASE _____
 ENCLOSURE _____
 APPROX. WEIGHT _____
 SPECIALS _____

MATERIALS OF CONSTRUCTION

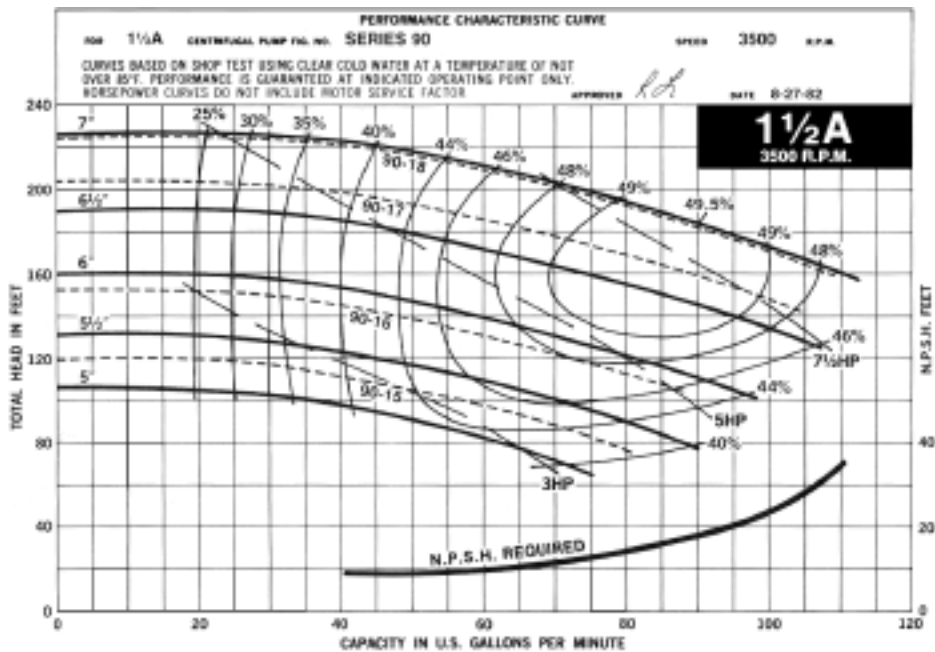
BRONZE FITTED ALL BRONZE †
 †Option Not Available with 3HP 1800RPM
 or 7-1/2 - 15HP 3600RPM ratings.

TYPE OF SEAL

90 Standard Seal
 (Buna-Carbon/Ceramic)
 Optional Seal
 (EPR Carbon/Tungsten Carbide)

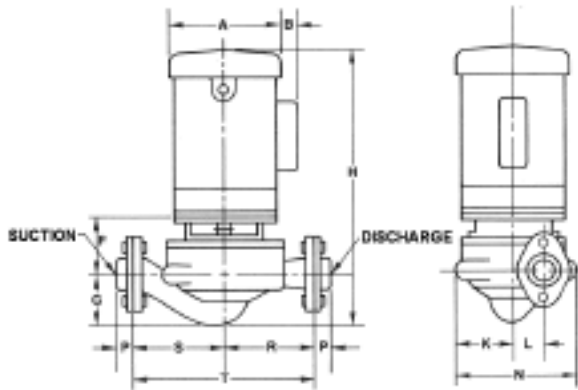
MAXIMUM WORKING PRESSURE

175 psi (12 bar) W.P.



Series 90 1-1/2A Centrifugal Pump Submittal

B-141.2



Companion Flanges furnished for Suction and Discharge

PUMP SIZE	SUCTION AND DISCHARGE SIZE - INCHES NPT	MOTOR FR.	PUMP DIMENSIONS IN INCHES (MM)								
			F	G	K	L	N	P	R	S	T
1-1/2A	1-1/2	56	3-11/16 (94)	3-1/2 (89)	4-5/8 (117)	1 (25)	9-1/2 (241)	3/4 (19)	6-1/2 (165)	7 (178)	13-1/2 (343)
1-1/2A	1-1/2	184JM	4-9/16 (116)	3-1/2 (89)	4-5/8 (117)	1 (25)	9-1/2 (241)	3/4 (19)	6-1/2 (165)	7 (178)	13-1/2 (343)
1-1/2A	1-1/2	213JM	4-9/16 (116)	3-1/2 (89)	4-5/8 (117)	1 (25)	9-1/2 (241)	3/4 (19)	6-1/2 (165)	7 (178)	13-1/2 (343)

MAXIMUM WORKING PRESSURE 175PSI (12 BAR)

DIMENSIONS - Inches (mm)

MOTOR HP		PHASE	FR. NO.	A MAX.	B	H MAX.	J
1725	3450						
1/2		1	56	7-1/2 (190)	1-1/2 (38)	16-3/4 (425)	
1/2		3	56	7-1/2 (190)		16-1/4 (413)	
3/4		1	56	7-1/2 (190)	1-1/2 (38)	17-3/4 (451)	
3/4		3	56	7-1/2 (190)		17-1/4 (438)	
1		1	56	7-1/2 (190)	1-1/2 (38)	18-1/2 (470)	
1		3	56	7-1/2 (190)		17-1/4 (438)	
1-1/2		1	56	7-1/2 (190)	1-1/2 (38)	19-3/4 (502)	
1-1/2		3	56	7-1/2 (190)		17-3/4 (451)	
	3	3	56	7-1/2 (190)		18-1/2 (470)	
	5	3	56	7-1/2 (190)		20 (508)	
	7-1/2	3	184JM	11-3/4 (298)		23-3/8 (594)	3-1/2 (89)
	10	3	213JM	14 (356)		27-3/8 (695)	4-1/8 (105)

Dimensions are subject to change. Not to be used for construction purposes unless certified.