

**REPLACEMENT PARTS**

CP-25B-PL



---

# Replacement Motors

FOR 1/12 HP THROUGH 2 HP

B&G MOTORS



**Bell & Gossett**

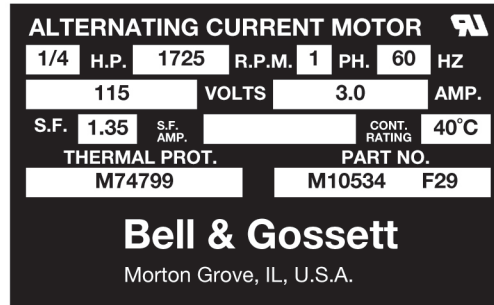
a xylem brand

# Index

How to use this Parts List . . . . .	3
Index by Motor Description . . . . .	4
Cross Reference / Index by "M" Numbers . . . . .	5
Cross Reference / Index by "MOT" Numbers and "MAG" Numbers . . . . .	6
Exploded View - 5" Motor . . . . .	7
Exploded View - 5" and 6" Motors . . . . .	8
Exploded View - 7" Motor . . . . .	9
Replacement Parts for 111031 . . . . .	10
Replacement Parts for 111032 . . . . .	11
Replacement Parts for 111033 . . . . .	12
Replacement Parts for 111034 . . . . .	13
Replacement Parts for 111035 . . . . .	14
Replacement Parts for 111039 . . . . .	15
Replacement Parts for 111040 . . . . .	16
Replacement Parts for 111041 . . . . .	17
Replacement Parts for 111042 . . . . .	18
Replacement Parts for 111044 and 169047 . . . . .	19
Replacement Parts for 111046 and 169049 . . . . .	20
Replacement Parts for 111047 and 169051 . . . . .	21
Replacement Parts for 111049 and 169053 . . . . .	22
Replacement Parts for 111061 . . . . .	23
Replacement Parts for 169035 and 169040 . . . . .	24
Replacement Parts for 169036 and 169041 . . . . .	25
Replacement Parts for 169037 and 169042 . . . . .	26
Replacement Parts for 169038 and 169043 . . . . .	27
Replacement Parts for 169039 and 169045 . . . . .	28
Replacement Parts for 169090 . . . . .	29
Replacement Parts for 169092 . . . . .	30
Replacement Parts for 169094 . . . . .	31
Wiring Diagrams for B&G Motors . . . . .	32

# How to use this PARTS LIST

The nameplate on any Bell & Gossett motor identifies the specific motor by part number and provides a complete description of the motor as shown in the example below.



The nameplate in the example identifies the motor as a 1/4 HP, 115V, 60 cycle, single (1) phase, 1725 RPM motor, part number M10534, manufactured in June, 1992. Although all motor nameplates do not look alike, all will display the part number and description of the motor. Some Bell & Gossett motors do not have a nameplate, but will display the motor information directly on the motor shell. **DO NOT REMOVE THE NAMEPLATE.** The nameplate identifies the motor for future reference. It is important when ordering replacement parts to furnish complete motor data.

To ensure that the correct parts will be selected, follow the procedure below:

1. Determine the part number of the motor using the information displayed on either the motor shell or the motor nameplate.
2. Determine the date the unit was manufactured. See chart below.
3. Refer to the index for the page number of the parts breakdown for the specific motor. The page number can be accessed through the index using either the "M," "MOT," or "MAG" number found on the motor nameplate, the description of the motor (also found on the nameplate) or the six digit power pack number.
4. Find the proper column in the parts breakdown for the motor number involved.
5. Select part numbers using the exploded views for parts identification. If a complete motor is required, use the six digit power pack number listed for the "M" number required.

DATE OF MANUFACTURE CODE											
The date code is made up of two or three characters depending upon the year.											
1946-1960 The number denotes the month. The last character is a letter and denotes the year.			1961-1982 Two characters. First letter is month. Second letter is year.			1983 - Three characters. The letter denotes the month. The numbers denote the year.					
1	January	G	1946	A	January	A	1961	A	January	38	1983
2	February	H	1947	B	February	B	1962	B	February	48	1984
3	March	J	1948	C	March	C	1963	C	March	58	1985
4	April	K	1949	D	April	D	1964	D	April	68	1986
5	May	L	1950	E	May	E	1965	E	May	78	1987
6	June	M	1951	F	June	F	1966	F	June	88	1988
7	July	N	1952	G	July	G	1967	G	July	98	1989
8	August	P	1953	H	August	H	1968	H	August	09	1990
9	September	R	1954	J	September	J	1969	J	September	19	1991
10	October	T	1955	K	October	K	1970	K	October	29	1992
11	November	U	1956	L	November	L	1971	L	November	39	1993
12	December	V	1957	M	December	M	1972	M	December	49	1994
		W	1958			N	1973			59	1995
		X	1959			P	1974			69	1996
		Y	1960			R	1975			79	1997
						T	1976			89	1998
						U	1977			99	1999
						V	1978				
						W	1979				
						X	1980				
						Y	1981				
						Z	1982				

# Index By Motor Description

1/6HP, 115-60-1, 1.9 AMP, 1725 (5" Motor w/6" Bracket) for a Booster Pump . . . . .	10
1/6HP, 208-60-1, 1.1 AMP, 1725 Motor for a Booster Pump . . . . .	11
1/6HP, 230-60-1, 1.2 AMP, 1725 Motor for a Booster Pump . . . . .	12
1/12HP, 115-60-1, 1.75 AMP, 1725 Motor for a Booster Pump . . . . .	13
1/12HP, 230-60-1, .94 AMP, 1725 Motor for a Booster Pump . . . . .	14
1/6HP, 208-230/460-60-3, .8-.9/.45 AMP, 1750 Motor for a Booster Pump . . . . .	15
1/4HP, 115-60-1, 3.0 AMP, 1725 Motor for a Booster Pump . . . . .	16
1/4HP, 230-60-1, 1.6 AMP, 1725 Motor for a Booster Pump . . . . .	17
1/3HP, 115/230-60-1, 4.2/2.1 AMP, 1725 Motor for a Booster Pump . . . . .	18
1/2HP, 115/230-60-1, 5.2/2.6 AMP, 1725 Motor for a Booster Pump . . . . .	19
1/2HP, 208-230/460-60-3, 1.8-1.7/.85 AMP, 1750 Motor for Series 60 or 1522 Pump . . . . .	20
3/4HP, 115/230-60-1, 7.0/3.5 AMP, 1725 Motor for Series 60 or 1522 Pump . . . . .	21
3/4HP, 208-230/460-60-3, 2.45-2.4/1.2 AMP, 1750 Motor for Series 60 or 1522 Pump . . . . .	22
1/6HP, 115-60-1, 1.9 AMP, 1725 (5" Motor w/5" Bracket) for a Booster Pump . . . . .	23
1/4HP, 115-60-1, 3.0 AMP, 1725 Motor for Series 60 or 1522 Pump . . . . .	24
1/4HP, 230-60-1, 1.6 AMP, 1725 Motor for Series 60 or 1522 Pump . . . . .	25
1/4HP, 208-230/460-60-3, .98-1.0/.5 AMP, 1750 Motor for Series 60 or 1522 Pump . . . . .	26
1/3HP, 115/230-60-1, 4.2/2.1 AMP, 1725 Motor for Series 60 or 1522 Pump . . . . .	27
1/3HP, 208-230/460-60-3, 1.5-1.4/.7 AMP, 1750 Motor for Series 60 or 1522 Pump . . . . .	28
1HP, 208-230/460-60-3, 3.8-4.0/2.0 AMP, 1730 Motor for Series 60 Pump . . . . .	29
1 1/2 HP, 208-230/460-60-3, 5.2-5.4/2.7 AMP, 1730 Motor for Series 60 Pump . . . . .	30
2HP, 208-230/460-60-3, 6.7/7.0/3.5 AMP, 1730 Motor for Series 60 Pump . . . . .	31

# Cross Reference/Index by "M" Numbers

MOTOR NO.	POWER PACK NO.	PAGE NO.	MOTOR NO.	POWER PACK NO.	PAGE NO.
M09180	- 111034	13	M80055	- 169037	26
M09181	- 111034	13	"	- 169042	26
M09182	- 111034	13	M80058	- 111042	18
M09183	- 111035	14	M80059	- 169038	27
M09186	- 111034	13	"	- 169043	27
M10290	- 111032	11	M80060	- 169039	28
M10291	- 111031	10	"	- 169045	28
M10292	- 111061	23	M80062	- 169038	27
M10293	- 111031	10	M80065	- 111044	19
"	- 111061	23	"	- 169047	19
M10294	- 111031	10	M80066	- 111044	19
M10295	- 111032	11	"	- 169047	19
M10296	- 111033	12	M80067	- 111044	19
M10301	- 111032	11	"	- 169047	19
M10302	- 111033	12	M80070	- 111046	20
M10320	- 111033	12	"	- 169049	20
M10500	- 111041	17	M80077	- 111047	21
M10532	- 111040	16	"	- 169051	21
M10534	- 169035	24	M80080	- 111049	22
"	- 169040	24	"	- 169053	22
M10536	- 111041	17	M80081	- 111047	21
M10538	- 169036	25	"	- 169051	21
"	- 169041	25	M80082	- 111047	21
M10650	- 169036	25	"	- 169051	21
"	- 169041	25	M80121	- 111042	18
M10711	- 111031	10	M95171	- 111040	16
"	- 111061	23	M95172	- 111040	16
M10740	- 111042	18	M95173	- 169035	24
M10800	- 111042	18	M97185	- 169035	24
M12570	- 169233	29	"	- 169040	24
M80026	- 111042	18	M98541	- 169233	29
M80027	- 169038	27	M98542	- 169233	29
"	- 169043	27	M98543	- 169237	30
M80028	- 111042	18	M98544	- 169237	30
M80033	- 111042	18	M98545	- 169238	31
M80036	- 169039	28	M98546	- 169238	31
"	- 169045	28	M98550	- 169233	29
M80037	- 111046	20	M98551	- 169233	29
"	- 169049	20	M98552	- 169237	30
M80039	- 111049	22	M98553	- 169238	31
"	- 169053	22	M98558	- 169237	30
M80050	- 111039	15	M98559	- 169238	31

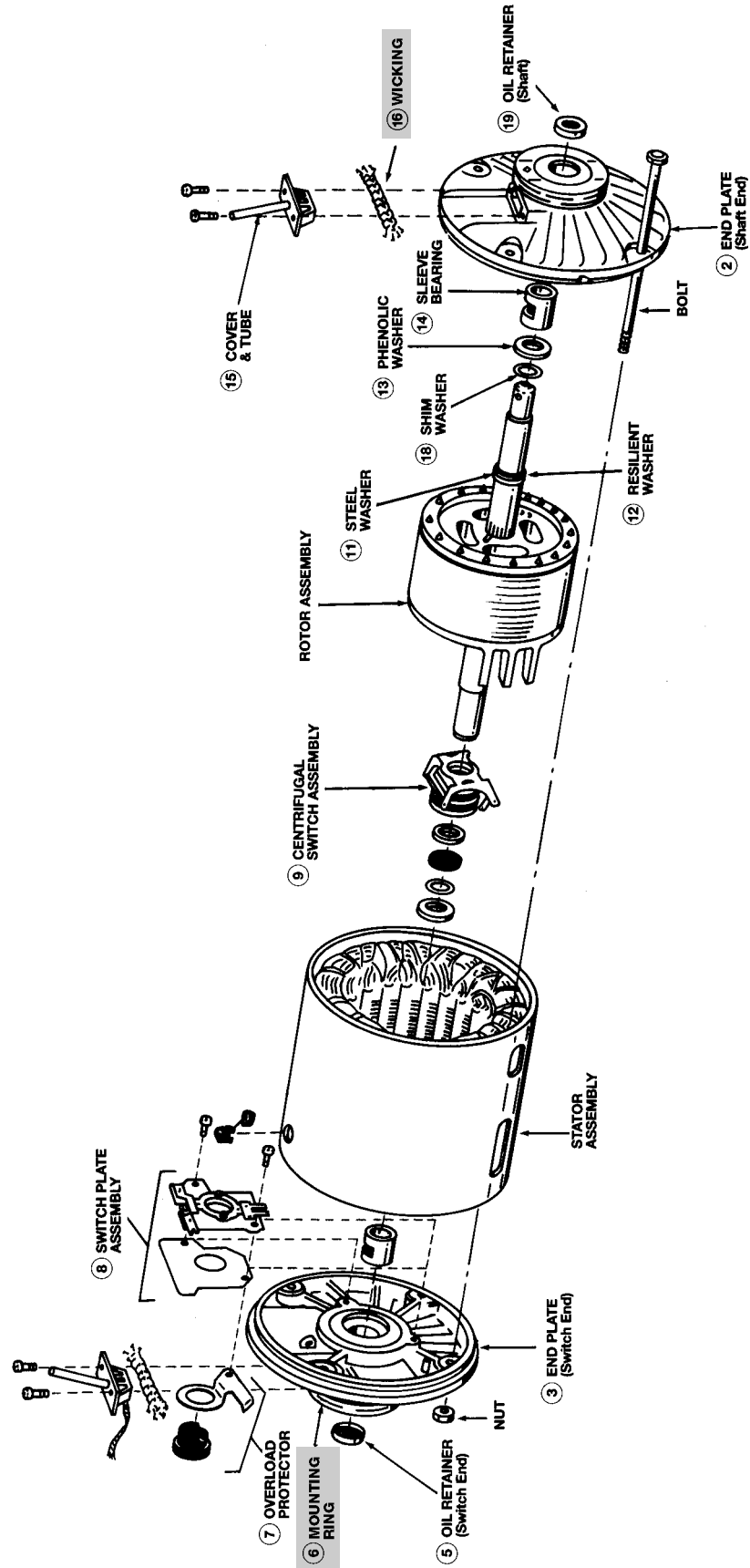
# Cross Reference/Index by "MOT" Numbers and "MAG" Numbers

MOTOR NO.	POWER PACK NO.	PAGE NO.	MOTOR NO.	POWER PACK NO.	PAGE NO.
MOT101-5	- 111034	13	MAGOOA-2606B	- 169035	24
MOT102-6	- 111040	16	"	- 169040	24
MOT107-6	- 111042	18	MAGOOD-3306B	- 169038	27
MOT108-6	- 111042	18	"	- 169043	27
MOT109-6	- 111031	10	MAGOOD-5106B	- 111044	19
MOT112-5	- 111034	13	"	- 169047	19
MOT113-5	- 111034	13	MAGOOD-7606B	- 111047	21
MOT115-6	- 111031	10	"	- 169051	21
MOT117-5	- 111035	14	MAGOOG-1706B	- 111039	15
MOT123-5	- 111035	14	MAGOOG-2606B	- 169037	26
MOT132-5	- 111034	13	"	- 169042	26
MOT133-5	- 111034	13	MAGOOG-3306B	- 169039	28
MOT136-5	- 111035	14	MAGOOG-5106B	- 111046	20
MOT201-6	- 111032	11	"	- 169049	20
MOT202-6	- 111033	12	MAGOOG-7606B	- 111049	22
MOT212-6	- 169047	19	"	- 169053	22
MOT213-6	- 111041	17	MBGOOA-2606B	- 111040	16
MOT223-6	- 111044	19			
MOT230-6	- 169040	24			
MOT231-6	- 169041	25			
MOT236-6	- 169053	22			
MOT237-6	- 169053	22			
MOT240-6	- 169045	28			
MOT246-6	- 169049	20			
MOT247-6	- 111046	20			
MOT259-6	- 169051	21			
MOT260-6	- 169051	21			
MOT262-8	- 169233	29			
MOT294-6	- 111039	15			
MOT296-6	- 111039	15			
MOT298-6	- 169042	26			
MOT300-6	- 111031	10			
MOT301-6	- 111032	11			
MOT302-6	- 111033	12			
MOT309-6	- 111040	16			
MOT311-6	- 111041	17			
MOT314-6	- 169040	24			
MOT316-6	- 169036	25			
"	- 169041	25			
MOT323-6	- 111042	18			
MOT325-6	- 111042	18			
MOT326-6	- 169043	27			
MOT330-6	- 169047	19			
MOT334-6	- 169049	20			
MOT335-6	- 169051	21			
MOT337-6	- 169053	22			
MOT441-6	- 111031	10			
MOT442-6	- 111040	16			
MOT911-6	- 111031	10			
MOT922-6	- 169053	22			
MOT925-6	- 169051	21			
MOT929-6	- 169047	19			
MOT931-6	- 169049	20			
MOT937-6	- 169043	27			

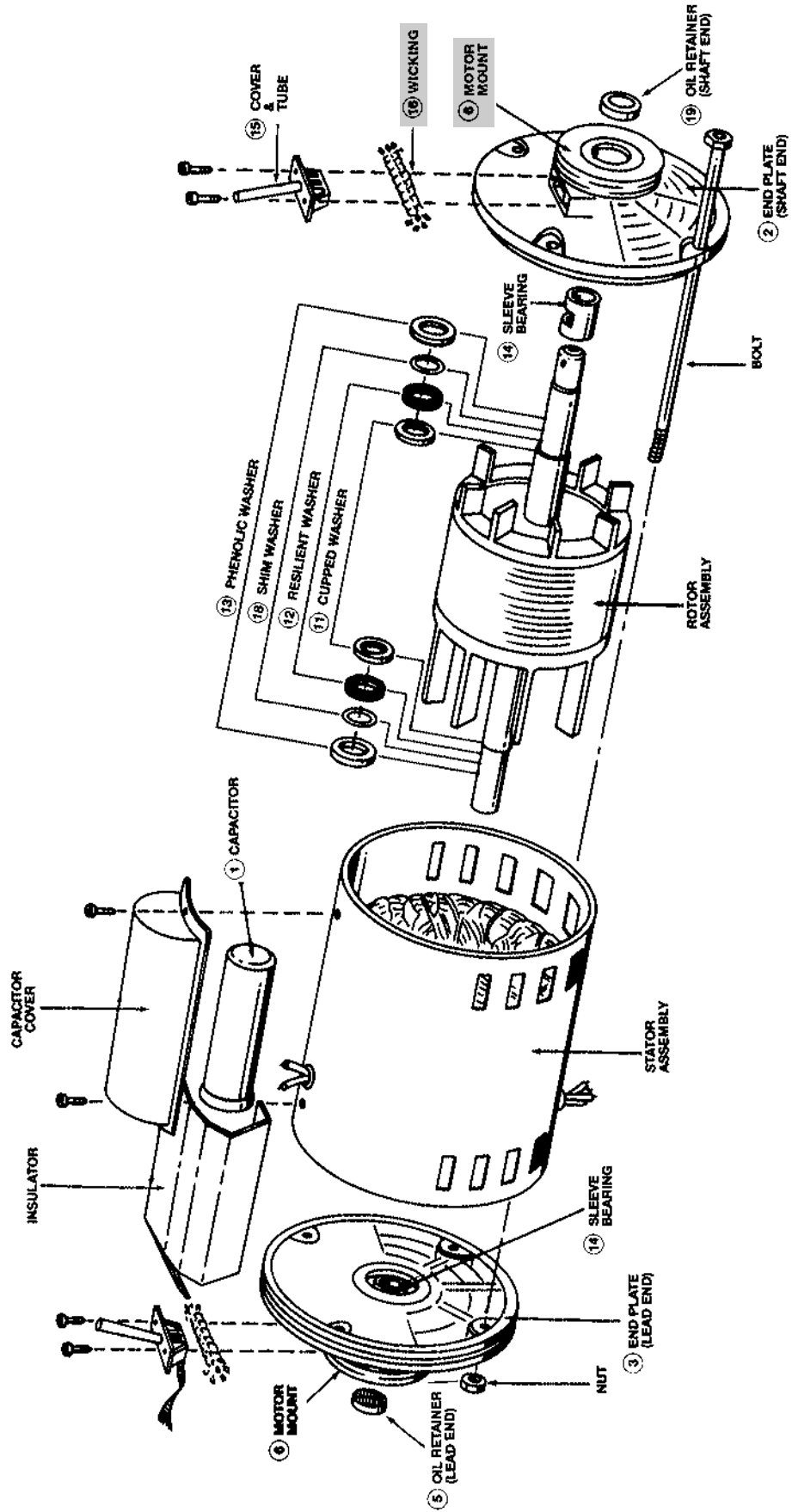
OLD POWER PACK NO.	NEW POWER PACK NO.	PAGE NO.
111036	- 111031	10
111037	- 111032	11
111038	- 111033	12
111043	- 111042	18
169089	- 169233	29
169090	- 169233	29
169091	- 169237	30
169092	- 169237	30
169093	- 169238	31
169094	- 169238	31

# Five Inch Motor Exploded View 1/12HP, Split Phase Design



▭ - Factory recommended spare parts.

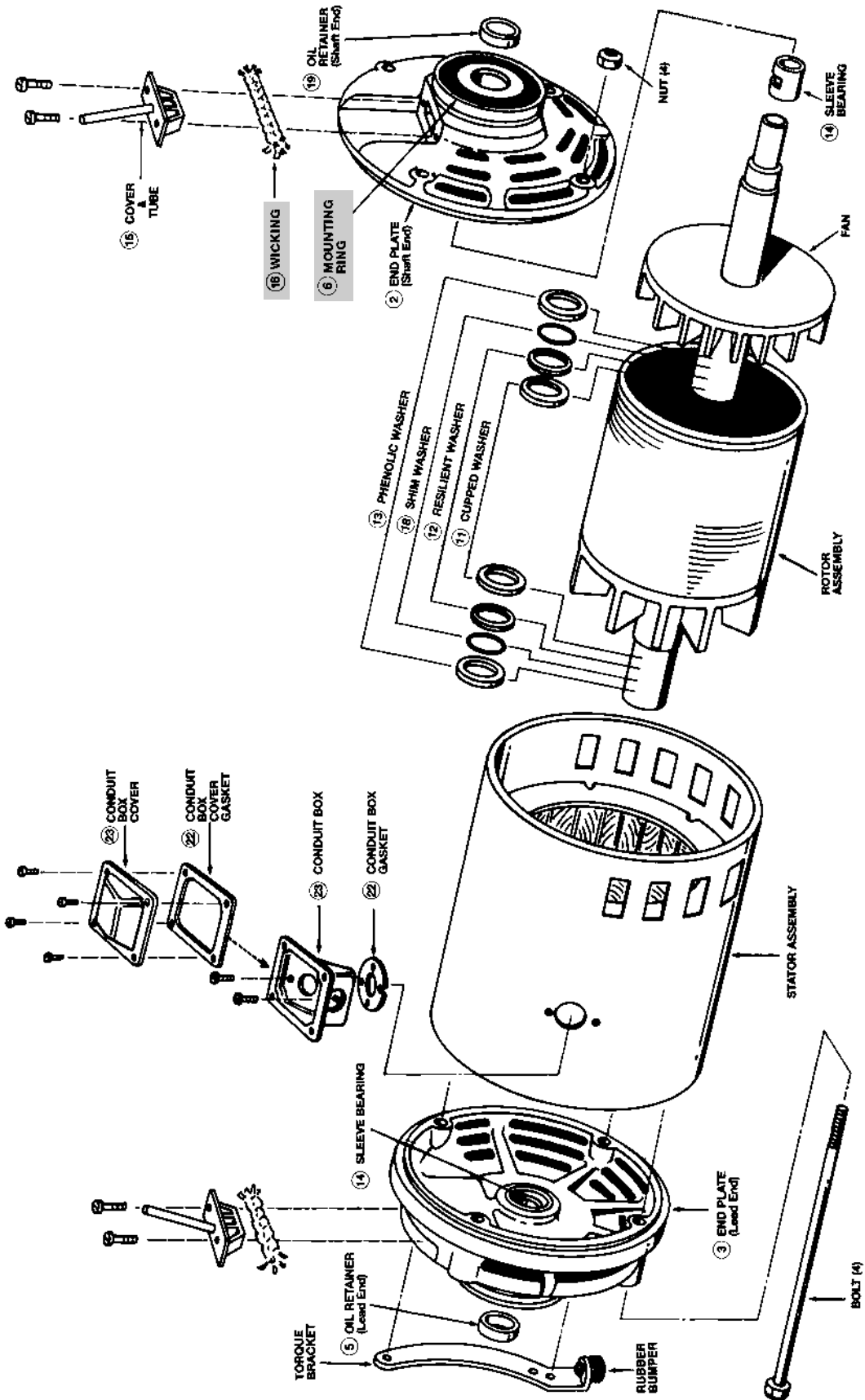
# Five & Six Inch Motors Exploded View



- Factory recommended spare parts.



# Seven Inch Motor Exploded View



 - Factory recommended spare parts.

**111031**

1/6HP, 115-60-1, \*\*\*1.9 AMP, 1725 (5" Motor w/6" Bracket)  
for a Booster Pump

ITEM NO.	DESCRIPTION	MFG. DATE		
		AFTER 10/95	2/88 - 10/95	5/70 - 1/88
	<b>MOTOR ID NUMBER</b>	<b>M10711</b>	<b>M10293</b>	<b>M10291</b>
	Power Pack	111031	111031	*111036
	Motor Bracket (Top)	P05211	P05211	P66070
	Motor Bracket (Bottom)	P66075	P66075	(1 PIECE)
	Conduit Box Cover	M61983	M61983	M61983
1	Capacitor	M76040	M76040	N/A
2	End Plate (Shaft End)	M13414	M13414	M49301
3	End Plate (Switch End)	M13415	M13415	N/A
7	Overload Protector	**M74794	**M74794	M74582
14	Sleeve Bearing (2)	M21240	M21240	M23250
9	Centrifugal Switch Assembly	NONE	NONE	N/A
16	Wicking (2)	M18390	M18390	M72131
6	Motor Mount Set	118223	118223	118228
8	Switch Plate Assembly	N/A	N/A	118262
12	Resilient Washer - Buna N (2)	M21750	M21750	M25320
11	Washer - Steel (2)	M73060	M73060	M26040
13	Washer - Phenolic (2)	M22050	M22050	M26010
18	Shim Washer - Mylar (5)	M22080	M22080	M26070
15	Cover & Tube	M72555	M72555	M72555
19	Oil Retainer (Shaft End)	M21270	M21270	M23280
5	Oil Retainer (Switch End)	M21120	M21120	M23130

\* - Part number 111036 is obsolete, replaced by 111031.

\*\* - Overload protector is wound in stator windings.

\*\*\* - 2.4 AMP for motor M10293.

N/A - Not Available.

█ - Factory recommended spare parts.

Use the list below for cross-reference purposes only. Consult factory if replacement parts are needed for these obsolete motors.

111031 replaces:

MOT109-6

MOT115-6

MOT300-6

MOT441-6

MOT911-6

M10294

111036

NOTE: Refer to page 7 for exploded view of motor M10291 and page 8 for motors M10711 and M10293.

**111032**

1/6HP, 208-60-1, 1.1 AMP, 1725 Motor for a Booster Pump

ITEM NO.	DESCRIPTION	MFG. DATE 2/88 - CURRENT	MFG. DATE 11/70 - 1/88
	<b>MOTOR ID NUMBER</b>	<b>M10301</b>	<b>M10290</b>
	Power Pack	111032	*111037
	Motor Bracket (Top)	P05211	P66070
	Motor Bracket (Bottom)	P66075	(1 PIECE)
	Conduit Box Cover	M61983	P01870
1	Capacitor	M76040	NONE
2	End Plate (Shaft End)	M13414	M49301
3	End Plate (Switch End)	M13415	N/A
7	Overload Protector	**M74794	N/A
14	Sleeve Bearing (2)	M21240	M23250
9	Centrifugal Switch Assembly	NONE	N/A
16	Wicking (2)	M18390	M72131
6	Motor Mount Set	118223	118228
8	Switch Plate Assembly	N/A	118262
12	Resilient Washer - Buna N (2)	M21750	M25320
11	Washer - Steel (2)	M73060	M26040
13	Washer - Phenolic (2)	M22050	M26010
18	Shim Washer - Mylar (5)	M22080	M26070
15	Cover & Tube	M72555	M72555
19	Oil Retainer (Shaft End)	M21270	M23280
5	Oil Retainer (Switch End)	M21120	M23130

\* - Part number 111037 is obsolete, replaced by 111032.

\*\* - Overload protector is wound in stator windings.

N/A - Not Available.

█ - Factory recommended spare parts.

Use the list below for cross-reference purposes only. Consult factory if replacement parts are needed for these obsolete motors.

111032 replaces:  
MOT301-6  
111037

NOTE: Refer to page 7 for exploded view of motor M10290 and page 8 for motor M10301.

# 111033

## 1/6HP, 230-60-1, 1.2 AMP, 1725 Motor for a Booster Pump

ITEM NO.	DESCRIPTION	MFG. DATE 2/88 - CURRENT	MFG. DATE 11/70 - 1/88
	<b>MOTOR ID NUMBER</b>	<b>M10302</b>	<b>M10320</b>
	Power Pack	111033	*111038
	Motor Bracket (Top)	P05211	P66070
	Motor Bracket (Bottom)	P66075	(1 PIECE)
	Conduit Box Cover	M61983	P01870
1	Capacitor	M76040	NONE
2	End Plate (Shaft End)	M13414	M49301
3	End Plate (Switch End)	M13415	N/A
7	Overload Protector	**M74794	N/A
14	Sleeve Bearing (2)	M21240	M23250
9	Centrifugal Switch Assembly	NONE	N/A
16	Wicking (2)	M18390	M72131
6	Motor Mount Set	118223	118228
8	Switch Plate Assembly	NONE	118262
12	Resilient Washer - Buna N (2)	M21750	M25320
11	Washer - Steel (2)	M73060	M26040
13	Washer - Phenolic (2)	M22050	M26010
18	Shim Washer - Mylar (5)	M22080	M26070
15	Cover & Tube	M72555	M72555
19	Oil Retainer (Shaft End)	M21270	M23280
5	Oil Retainer (Switch End)	M21120	M23130

\* - Part number 111038 is obsolete, replaced by 111033.

\*\* - Overload protector is wound in stator windings.

N/A - Not Available.

 - Factory recommended spare parts.

Use the list below for cross-reference purposes only. Consult factory if replacement parts are needed for these obsolete motors.

111033 replaces:  
MOT302-6  
111038

NOTE: Refer to page 7 for exploded view of motor M10320 and page 8 for motor M10302.

# 111034

## 1/12HP, 115-60-1, 1.75 AMP, 1725 Motor for a Booster Pump

ITEM NO.	DESCRIPTION	MFG. DATE 3/86 - CURRENT	MFG. DATE 8/83 - 2/86
	<b>MOTOR ID NUMBER</b>	<b>M09181*/M09182**</b>	<b>M09186</b>
	Power Pack	111034	111034
	Motor Bracket (Top)	M61984	M61984
	Motor Bracket (Bottom)	P04244	P04244
	Conduit Box Cover	M61983	M61983
2	End Plate (Shaft End)	M48150	M13414
3	End Plate (Switch End)	M48120	N/A
7	Overload Protector	M48570*/M48450**	N/A
14	Sleeve Bearing (2)	M21240	M21240
9	Centrifugal Switch Assembly	118254	M48182
16	Wicking (2)	M18390	M18390
6	Motor Mount Set	118223	118223
8	Switch Plate Assembly	N/A	M48182
12	Resilient Washer - Buna N (2)	M21750	M21750
11	Washer - Steel (2)	M73060	M73060
13	Washer - Phenolic (2)	M22050	M22050
18	Shim Washer - Mylar (5)	M22080	M22080
15	Cover & Tube	M72555	M72555
19	Oil Retainer (Shaft End)	M21270	M21270
5	Oil Retainer (Switch End)	M21120	M21120

\* - Top Lead.

\*\* - Bottom Lead.

N/A - Not Available.

 - Factory recommended spare parts.

Use the list below for cross-reference purposes only. Consult factory if replacement parts are needed for these obsolete motors.

111034 replaces:

MOT101-5

MOT112-5

MOT113-5

MOT132-5

MOT133-5

M09180

NOTE: Refer to page 7 for exploded view of 5" motor.

# 111035

1/12HP, 230-60-1, .94 AMP, 1725 Motor for a Booster Pump

ITEM NO.	DESCRIPTION	MFG. DATE 3/78 - CURRENT	MFG. DATE 3/72 - 2/78
	<b>MOTOR ID NUMBER</b>	<b>M09183</b>	<b>M09240</b>
	Power Pack	111035	111035
	Motor Bracket (Top)	M61984	M61984
	Motor Bracket (Bottom)	P04244	P04244
	Conduit Box Cover	M61983	M61983
2	End Plate (Shaft End)	M48150	M48150
3	End Plate (Switch End)	M48120	M48120
7	Overload Protector	M72202	118181
14	Sleeve Bearing (2)	M21240	M21240
9	Centrifugal Switch Assembly	118254	118254
16	Wicking (2)	M18390	M18390
6	Motor Mount Set	118223	118223
8	Switch Plate Assembly	N/A	N/A
12	Resilient Washer - Buna N (2)	M21750	M21750
11	Washer - Steel (2)	M73060	M73060
13	Washer - Phenolic (2)	M22050	M22050
18	Shim Washer - Mylar (5)	M22080	M22080
15	Cover & Tube	M72555	M72555
19	Oil Retainer (Shaft End)	M21270	M21270
5	Oil Retainer (Switch End)	M21120	M21120

N/A - Not Available.

 - Factory recommended spare parts.

Use the list below for cross-reference purposes only. Consult factory if replacement parts are needed for these obsolete motors.

111035 replaces:

MOT117-5

MOT123-5

MOT136-5

NOTE: Refer to page 7 for exploded view of 5" motor.

# 111039

1/6HP, 208-230/460-60-3, .8-.9/.45 AMP, 1750 Motor for a Booster Pump

ITEM NO.	DESCRIPTION	MFG. DATE 11/66 - CURRENT
	<b>MOTOR ID NUMBER</b>	<b>M80050</b>
	Power Pack	111039
	Motor Bracket	P76925
	Conduit Box Cover	P45010
1	Capacitor	NONE
2	End Plate (Shaft End)	M49301
3	End Plate (Lead End)	M49302
14	Sleeve Bearing (2)	M23250
16	Wicking (2)	M72131
6	Motor Mount Set	118228
12	Resilient Washer - Buna N (2)	M25320
11	Cupped Washer - Steel (2)	M26010
13	Washer - Phenolic (2)	M26040
18	Shim Washer - Mylar (5)	M26070
15	Cover & Tube	M72555
19	Oil Retainer (Shaft End)	M23280
5	Oil Retainer (Lead End)	M23130

 - Factory recommended spare parts.

Use the list below for cross-reference purposes only. Consult factory if replacement parts are needed for these obsolete motors.

111039 replaces:  
MAGOOG-1706B

NOTE: Refer to page 8 for exploded view of 6" motor.

# 111040

1/4HP, 115-60-1, 3.0 AMP, 1725 Motor for a Booster Pump

ITEM NO.	DESCRIPTION	MFG. DATE 1/91 - CURRENT	MFG. DATE 4/73 - 12/90
	<b>MOTOR ID NUMBER</b>	<b>M10532</b>	<b>M95171</b>
	Power Pack	111040	111040
	Motor Bracket	P66070	P66080
	Conduit Box Cover	P01870	P01030
1	Capacitor	M76042	NONE
2	End Plate (Shaft End)	M49301	M49301
3	End Plate (Lead End)	M49302	N/A
7	Overload Protector	**M74799	M75717
14	Sleeve Bearing (2)	M23250	M23250
9	Centrifugal Switch Assembly	NONE	118264
16	Wicking (2)	M72131	M72131
6	Motor Mount Set	118228	118228
8	Switch Plate Assembly	NONE	118262
12	Resilient Washer - Buna N (2)	M25320	M25320
11	Cupped Washer - Steel (2)	M26010	M26010
13	Washer - Phenolic (2)	M26040	M26040
18	Shim Washer - Mylar (5)	M26070	M26070
15	Cover & Tube	M72555	M72555
19	Oil Retainer (Shaft End)	M23280	M23280
5	Oil Retainer (Lead End)	M23130	M23130

\*\* - Overload protector is wound in stator windings.

N/A - Not Available.

 - Factory recommended spare parts.

Use the list below for cross-reference purposes only. Consult factory if replacement parts are needed for these obsolete motors.

111040 replaces:  
 MBGOOA-2606B  
 MOT102-6  
 MOT309-6  
 MOT442-6  
 M95172

NOTE: Refer to page 8 for exploded view of 6" motor.



# 111041

1/4HP, 230-60-1, 1.6 AMP, 1725 Motor for a Booster Pump

ITEM NO.	DESCRIPTION	MFG. DATE 1/91 - CURRENT	MFG. DATE 3/72 - 12/90
	<b>MOTOR ID NUMBER</b>	<b>M10536</b>	<b>M10500</b>
	Power Pack	111041	111041
	Motor Bracket	P66070	P66080
	Conduit Box Cover	P01870	P01030
1	Capacitor	M76042	NONE
2	End Plate (Shaft End)	M49301	M49301
3	End Plate (Lead End)	M49302	N/A
7	Overload Protector	**M73120	M74730
14	Sleeve Bearing (2)	M23250	M23250
9	Centrifugal Switch Assembly	NONE	118264
16	Wicking (2)	M72131	M72131
6	Motor Mount Set	118228	118228
8	Switch Plate Assembly	NONE	118262
12	Resilient Washer - Buna N (2)	M25320	M25320
11	Cupped Washer - Steel (2)	M26010	M26010
13	Washer - Phenolic (2)	M26040	M26040
18	Shim Washer - Mylar (5)	M26070	M26070
15	Cover & Tube	M72555	M72555
19	Oil Retainer (Shaft End)	M23280	M23280
5	Oil Retainer (Lead End)	M23130	M23130

\*\* - Overload protector is wound in stator windings.

N/A - Not Available.

 - Factory recommended spare parts.

Use the list below for cross-reference purposes only. Consult factory if replacement parts are needed for these obsolete motors.

111041 replaces:  
MOT213-6  
MOT311-6

NOTE: Refer to page 8 for exploded view of 6" motor.

# 111042

1/3HP, 115/230-60-1, 4.2/2.1 AMP, 1725 Motor for a Booster Pump

ITEM NO.	DESCRIPTION	MFG. DATE 9/91 - CURRENT	MFG. DATE 2/83 - 8/91
	<b>MOTOR ID NUMBER</b>	<b>M80121</b>	<b>M80026</b>
	Power Pack	111042	111042
	Motor Bracket	P66080	P66080
	Conduit Box Cover	P01870	P01870
1	Capacitor	M75066	M75066
2	End Plate (Shaft End)	M49301	M49301
3	End Plate (Lead End)	M49302	M49302
7	Overload Protector**	M74793	M74797
14	Sleeve Bearing (2)	M23250	M23250
16	Wicking (2)	M72131	M72131
6	Motor Mount Set	118228	118228
12	Resilient Washer - Buna N (2)	M25320	M25320
11	Cupped Washer - Steel (2)	M26010	M26010
13	Washer - Phenolic (2)	M26040	M26040
18	Shim Washer - Mylar (5)	M26070	M26070
15	Cover & Tube	M72555	M72555
19	Oil Retainer (Shaft End)	M23280	M23280
5	Oil Retainer (Lead End)	M23130	M23130

\*\* - Overload protector is wound in stator windings.

- Factory recommended spare parts.

Use the list below for cross-reference purposes only. Consult factory if replacement parts are needed for these obsolete motors.

111042 replaces:

MOT107-6	M10740
MOT108-6	M10800
MOT323-6	M80028
MOT325-6	M80033
111043	M80058

NOTE: Refer to page 8 for exploded view of 6" motor.

# 111044 and 169047

1/2HP, 115/230-60-1, 5.2/2.6 AMP, 1725 Motor for Series 60 or 1522 Pump

ITEM NO.	DESCRIPTION	MFG. DATE 7/82 - CURRENT	MFG. DATE 1/75 - 6/82
	<b>MOTOR ID NUMBER</b>	<b>M80067</b>	<b>M80066</b>
	Power Pack (Series 60)	111044	111044
	Power Pack (Series 1522)	169047	169047
	Motor Bracket (For Series 60)	P61970	P61970
	Motor Bracket (For 1522)	P61980	P61980
	Conduit Box Cover	P45010	P45010
1	Capacitor	M75064	M75064
2	End Plate (Shaft End)	M49301	M49301
3	End Plate (Lead End)	M49302	M49302
7	Overload Protector**	M74791	M74791
14	Sleeve Bearing (2)	M23250	M23250
16	Wicking (2)	M72131	M72131
6	Motor Mount Set	118228	118228
12	Resilient Washer - Buna N (2)	M25320	M25320
11	Cupped Washer - Steel (2)	M26010	M26010
13	Washer - Phenolic (2)	M26040	M26040
18	Shim Washer - Mylar (5)	M26070	M26070
15	Cover & Tube	M72555	M72555
19	Oil Retainer (Shaft End)	M23280	M23280
5	Oil Retainer (Lead End)	M23130	M23130

\*\* - Overload protector is wound in stator windings.

- Factory recommended spare parts.

Use the list below for cross-reference purposes only. Consult factory if replacement parts are needed for these obsolete motors.

111044 replaces:  
MAGOOD-5106B  
M80065

169047 replaces:  
MAGOOD-5106B  
MOT212-6  
MOT330-6  
MOT929-6  
M80065

NOTE: Refer to page 8 for exploded view of 6" motor.

# 111046 and 169049

1/2HP, 208-230/460-60-3, 1.8-1.7/.85 AMP,  
1750 Motor for Series 60 or 1522 Pump

ITEM NO.	DESCRIPTION	MFG. DATE 3/81 - CURRENT	MFG. DATE 11/66 - 2/81
	<b>MOTOR ID NUMBER</b>	<b>M80037</b>	<b>M80070</b>
	Power Pack (Series 60)	111046	111046
	Power Pack (Series 1522)	169049	169049
	Motor Bracket (For Series 60)	P61970	P61970
	Motor Bracket (For 1522)	P61980	P61980
	Conduit Box Cover	P45010	P45010
2	End Plate (Shaft End)	M49301	N/A
3	End Plate (Lead End)	M49302	N/A
14	Sleeve Bearing (2)	M23250	M23250
16	Wicking (2)	M72131	M72131
6	Motor Mount Set	118228	118228
12	Resilient Washer - Buna N (2)	M25320	M25320
11	Cupped Washer - Steel (2)	M26010	M26010
13	Washer - Phenolic (2)	M26040	M26040
18	Shim Washer - Mylar (5)	M26070	M26070
15	Cover & Tube	M72555	M72555
19	Oil Retainer (Shaft End)	M23280	M23280
5	Oil Retainer (Lead End)	M23130	M23130

N/A - Not Available.

 - Factory recommended spare parts.

Use the list below for cross-reference purposes only. Consult factory if replacement parts are needed for these obsolete motors.

111046 replaces:  
MAGOOG-5106B

169049 replaces:  
MAGOOG-5106B  
MOT246-6  
MOT334-6  
MOT931-6

NOTE: Refer to page 8 for exploded view of 6" motor.

# 111047 and 169051

3/4HP, 115/230-60-1, 7.0/3.5 AMP, 1725 Motor for Series 60 or 1522 Pump

ITEM NO.	DESCRIPTION	MFG. DATE 7/82 - CURRENT	MFG. DATE 3/77 - 6/82
	<b>MOTOR ID NUMBER</b>	<b>M80082</b>	<b>M80081</b>
	Power Pack (Series 60)	111047	111047
	Power Pack (Series 1522)	169051	169051
	Motor Bracket (For Series 60)	P61970	P61970
	Motor Bracket (For 1522)	P61980	P61980
	Conduit Box Cover	P45010	P45010
1	Capacitor	M75065	N/A
2	End Plate (Shaft End)	M49301	M49301
3	End Plate (Lead End)	M49302	M49302
7	Overload Protector**	M74792	M74792
14	Sleeve Bearing (2)	M23250	M23250
16	Wicking (2)	M72131	M72131
6	Motor Mount Set	118228	118228
12	Resilient Washer - Buna N (2)	M25320	M25320
11	Cupped Washer - Steel (2)	M26010	M26010
13	Washer - Phenolic (2)	M26040	M26040
18	Shim Washer - Mylar (5)	M26070	M26070
15	Cover & Tube	M72555	M72555
19	Oil Retainer (Shaft End)	M23280	M23280
5	Oil Retainer (Lead End)	M23130	M23130

N/A - Not Available.

\*\* - Overload protector is wound in stator windings.

- Factory recommended spare parts.

Use the list below for cross-reference purposes only. Consult factory if replacement parts are needed for these obsolete motors.

111047 replaces:  
MAGOOD-7606B

169051 replaces:  
MAGOOD-7606B  
MOT259-6  
MOT260-6  
MOT335-6  
MOT925-6  
M80077

NOTE: Refer to page 8 for exploded view of 6" motor.

# 111049 and 169053

3/4HP, 208-230/460-60-3, 2.45-2.4/1.2 AMP,  
1750 Motor for Series 60 or 1522 Pump

ITEM NO.	DESCRIPTION	MFG. DATE 3/81 - CURRENT	MFG. DATE 11/66 - 2/81
	<b>MOTOR ID NUMBER</b>	<b>M80039</b>	<b>M80080</b>
	Power Pack (Series 60)	111049	111049
	Power Pack (Series 1522)	169053	169053
	Motor Bracket (For Series 60)	P61970	P61990
	Motor Bracket (For 1522)	P61980	P62000
	Conduit Box Cover	P45010	P45010
2	End Plate (Shaft End)	M49301	N/A
3	End Plate (Lead End)	M49302	M49302
14	Sleeve Bearing (2)	M23250	M23250
16	Wicking (2)	M72131	M72131
6	Motor Mount Set	118228	118228
12	Resilient Washer - Buna N (2)	M25320	M25320
11	Cupped Washer - Steel (2)	M26010	M26010
13	Washer - Phenolic (2)	M26040	M26040
18	Shim Washer - Mylar (5)	M26070	M26070
15	Cover & Tube	M72555	M72555
19	Oil Retainer (Shaft End)	M23280	M23280
5	Oil Retainer (Lead End)	M23130	M23130

N/A - Not Available.

 - Factory recommended spare parts.

Use the list below for cross-reference purposes only. Consult factory if replacement parts are needed for these obsolete motors.

111049 replaces:  
MAGOOG-7606B

169053 replaces:  
MAGOOG-7606B  
MOT236-6  
MOT237-6  
MOT337-6  
MOT922-6

NOTE: Refer to page 8 for exploded view of 6" motor.

**111061**


1/6HP, 115-60-1, \*1.9 AMP, 1725 (5" Motor w/5" Bracket)  
for a Booster Pump

ITEM NO.	DESCRIPTION	MFG. DATE		
		AFTER 10/95	3/83 - 10/95	11/73 - 2/83
	<b>MOTOR ID NUMBER</b>	<b>M10711</b>	<b>M10293</b>	<b>M10292</b>
	Power Pack	111061	111061	111061
	Motor Bracket (Top)	M61984	M61984	N/A
	Motor Bracket (Bottom)	P04244	P04244	N/A
	Conduit Box Cover	M61983	M61983	P01080
1	Capacitor	M76040	M76040	N/A
2	End Plate (Shaft End)	M13414	M13414	M13414
3	End Plate (Switch End)	M13415	M13415	M48120
7	Overload Protector	**M74794	**M74794	M74584
14	Sleeve Bearing (2)	M21240	M21240	M21240
9	Centrifugal Switch Assembly	NONE	NONE	118254
16	Wicking (2)	M18390	M18390	M18390
6	Motor Mount Set	118223	118223	118223
8	Switch Plate Assembly	NONE	NONE	118253
12	Resilient Washer - Buna N (2)	M21750	M21750	M21750
11	Washer - Steel (2)	M73060	M73060	M73060
13	Washer - Phenolic (2)	M22050	M22050	M22050
18	Shim Washer - Mylar (5)	M22080	M22080	M22080
15	Cover & Tube	M72555	M72555	M72555
19	Oil Retainer (Shaft End)	M21270	M21270	M21270
5	Oil Retainer (Switch End)	M21120	M21120	M21120

\* - 2.4 AMP for motor M10293.

\*\* - Overload protector is wound in stator windings.

N/A - Not Available.

 - Factory recommended spare parts.

NOTE: Refer to page 7 for exploded view of motor M10292 and page 8 for motors M10293 and M10711.

# 169035 and 169040

1/4HP, 115-60-1, 3.0 AMP, 1725 Motor for Series 60 or 1522 Pump

ITEM NO.	DESCRIPTION	MFG. DATE 1/91 - CURRENT	MFG. DATE 1/71 - 12/90
	<b>MOTOR ID NUMBER</b>	<b>M10534</b>	<b>M97185</b>
	Power Pack (Series 60)	169035	169035
	Power Pack (Series 1522)	169040	169040
	Motor Bracket (For Series 60)	P61930	P61950
	Motor Bracket (For 1522)	P61940	P61960
	Conduit Box Cover	P45010	P45010
1	Capacitor	M76042	N/A
2	End Plate (Shaft End)	M49301	M49301
3	End Plate (Lead End)	M49302	N/A
7	Overload Protector	**M74799	M75717
14	Sleeve Bearing (2)	M23250	M23250
9	Centrifugal Switch Assembly	NONE	118264
16	Wicking (2)	M72131	M72131
6	Motor Mount Set	118228	118228
8	Switch Plate Assembly	NONE	118262
12	Resilient Washer - Buna N (2)	M25320	M25320
11	Cupped Washer - Steel (2)	M26010	M26010
13	Washer - Phenolic (2)	M26040	M26040
18	Shim Washer - Mylar (5)	M26070	M26070
15	Cover & Tube	M72555	M72555
19	Oil Retainer (Shaft End)	M23280	M23280
5	Oil Retainer (Lead End)	M23130	M23130

\*\* - Overload protector is wound in stator windings.

N/A - Not Available.

 - Factory recommended spare parts.

Use the list below for cross-reference purposes only. Consult factory if replacement parts are needed for these obsolete motors.

169035 replaces:  
MAGOOA-2606B  
M95173

169040 replaces:  
MAGOOA-2606B  
MOT230-6  
MOT314-6

NOTE: Refer to page 8 for exploded view of 6" motor.



# 169036 and 169041

1/4HP, 230-60-1, 1.6 AMP, 1725 Motor for Series 60 or 1522 Pump

ITEM NO.	DESCRIPTION	MFG. DATE 1/91 - CURRENT	MFG. DATE 1/71 - 12/90
	<b>MOTOR ID NUMBER</b>	<b>M10538</b>	<b>M10650</b>
	Power Pack (Series 60)	169036	169036
	Power Pack (Series 1522)	169041	169041
	Motor Bracket (For Series 60)	P61930	P61950
	Motor Bracket (For 1522)	P61940	P61960
	Conduit Box Cover	P45010	P45010
1	Capacitor	M76042	N/A
2	End Plate (Shaft End)	M49301	M49301
3	End Plate (Lead End)	M49302	N/A
7	Overload Protector	**M73120	M74730
14	Sleeve Bearing (2)	M23250	M23250
9	Centrifugal Switch Assembly	NONE	118264
16	Wicking (2)	M72131	M72131
6	Motor Mount Set	118228	118228
8	Switch Plate Assembly	NONE	118262
12	Resilient Washer - Buna N (2)	M25320	M25320
11	Cupped Washer - Steel (2)	M26010	M26010
13	Washer - Phenolic (2)	M26040	M26040
18	Shim Washer - Mylar (5)	M26070	M26070
15	Cover & Tube	M72555	M72555
19	Oil Retainer (Shaft End)	M23280	M23280
5	Oil Retainer (Lead End)	M23130	M23130

\*\* - Overload protector is wound in stator windings.

N/A - Not Available.

 - Factory recommended spare parts.

Use the list below for cross-reference purposes only. Consult factory if replacement parts are needed for these obsolete motors.

169036 replaces:  
MOT316-6

169041 replaces:  
MOT231-6  
MOT316-6

NOTE: Refer to page 8 for exploded view of 6" motor.

# 169037 and 169042

1/4HP, 208-230/460-60-3, .98-1.0/.5 AMP,  
1750 Motor for Series 60 or 1522 Pump

ITEM NO.	DESCRIPTION	MFG. DATE 11/66 - CURRENT
	<b>MOTOR ID NUMBER</b>	<b>M80055</b>
	Power Pack (Series 60)	169037
	Power Pack (Series 1522)	169042
	Motor Bracket (For Series 60)	P61930
	Motor Bracket (For 1522)	P61940
	Conduit Box Cover	P45010
1	Capacitor	NONE
2	End Plate (Shaft End)	M49301
3	End Plate (Lead End)	M49302
14	Sleeve Bearing (2)	M23250
16	Wicking (2)	M72131
6	Motor Mount Set	118228
12	Resilient Washer - Buna N (2)	M25320
11	Cupped Washer - Steel (2)	M26010
13	Washer - Phenolic (2)	M26040
18	Shim Washer - Mylar (5)	M26070
15	Cover & Tube	M72555
19	Oil Retainer (Shaft End)	M23280
5	Oil Retainer (Lead End)	M23130

 - Factory recommended spare parts.

Use the list below for cross-reference purposes only. Consult factory if replacement parts are needed for these obsolete motors.

169037 replaces:  
MAGOOG-2606B

169042 replaces:  
MAGOOG-2606B

NOTE: Refer to page 8 for exploded view of 6" motor.

# 169038 and 169043

1/3HP, 115/230-60-1, 4.2/2.1 AMP, 1725 Motor for Series 60 or 1522 Pump

ITEM NO.	DESCRIPTION	MFG. DATE 3/83 - CURRENT	MFG. DATE 5/77 - 2/83
	<b>MOTOR ID NUMBER</b>	<b>M80027</b>	<b>M80059</b>
	Power Pack (Series 60)	169038	169038
	Power Pack (Series 1522)	169043	169043
	Motor Bracket (For Series 60)	P61950	P61950
	Motor Bracket (For 1522)	P61960	P61960
	Conduit Box Cover	P45010	P45010
1	Capacitor	M75066	M75066
2	End Plate (Shaft End)	M49301	M49301
3	End Plate (Lead End)	M49302	M49302
7	Overload Protector**	M74793	M74793
14	Sleeve Bearing (2)	M23250	M23250
16	Wicking (2)	M72131	M72131
6	Motor Mount Set	118228	118228
12	Resilient Washer - Buna N (2)	M25320	M25320
11	Cupped Washer - Steel (2)	M26010	M26010
13	Washer - Phenolic (2)	M26040	M26040
18	Shim Washer - Mylar (5)	M26070	M26070
15	Cover & Tube	M72555	M72555
19	Oil Retainer (Shaft End)	M23280	M23280
5	Oil Retainer (Lead End)	M23130	M23130

\*\* - Overload protector is wound in stator windings.

- Factory recommended spare parts.

Use the list below for cross-reference purposes only. Consult factory if replacement parts are needed for these obsolete motors.

169038 replaces:  
MAGOOD-3306B  
M80062

169041 replaces:  
MAGOOD-3306B  
MOT326-6  
MOT937-6

NOTE: Refer to page 8 for exploded view of 6" motor.

# 169039 and 169045

1/3HP, 208-230/460-60-3, 1.5-1.4/.7 AMP,  
1750 Motor for Series 60 or 1522 Pump

ITEM NO.	DESCRIPTION	MFG. DATE 3/81 - CURRENT	MFG. DATE 11/66 - 2/81
	<b>MOTOR ID NUMBER</b>	<b>M80036</b>	<b>M80060</b>
	Power Pack (Series 60)	169039	169039
	Power Pack (Series 1522)	169045	169045
	Motor Bracket (For Series 60)	P61970	P61970
	Motor Bracket (For 1522)	P61980	P61980
	Conduit Box Cover	P45010	P45010
1	Capacitor	NONE	N/A
2	End Plate (Shaft End)	M49301	N/A
3	End Plate (Lead End)	M49302	N/A
14	Sleeve Bearing (2)	M23250	M23250
16	Wicking (2)	M72131	M72131
6	Motor Mount Set	118228	118228
12	Resilient Washer - Buna N (2)	M25320	M25320
11	Cupped Washer - Steel (2)	M26010	M26010
13	Washer - Phenolic (2)	M26040	M26040
18	Shim Washer - Mylar (5)	M26070	M26070
15	Cover & Tube	M72555	M72555
19	Oil Retainer (Shaft End)	M23280	M23280
5	Oil Retainer (Lead End)	M23130	M23130

N/A - Not Available.

 - Factory recommended spare parts.

Use the list below for cross-reference purposes only. Consult factory if replacement parts are needed for these obsolete motors.

169039 replaces:  
MAGOOG-3306B

169045 replaces:  
MOT240-6

NOTE: Refer to page 8 for exploded view of 6" motor.

**169090**

1HP, 208-230/460-60-3, 3.8-4.0/2.0 AMP, 1730 Motor for Series 60 Pump

ITEM NO.	DESCRIPTION	MFG. DATE 12/77 - 12/04	MFG. DATE 11/71 - 11/77
	<b>MOTOR ID NUMBER</b>	<b>M98551</b>	<b>M98542</b>
	Power Pack	*169090	*169090
	Motor Bracket (Side)	P09180	P09180
	Motor Bracket (Bottom)	N/A	N/A
23	Conduit Box Cover	N/A	N/A
22	Conduit Box Cover Gasket	N/A	N/A
2	End Plate (Shaft End)	N/A	N/A
3	End Plate (Lead End)	N/A	N/A
14	Sleeve Bearing (2)	M71584	M71584
16	Wicking (2)	M71664	M71664
6	Motor Mount Set	M71583	M71583
12	Resilient Washer - Buna N (2)	M71656	M71656
11	Cupped Washer - Steel (2)	M71658	M71658
13	Washer - Phenolic (2)	M71657	M71657
18	Shim Washer - Mylar (5)	M71654	M71654
15	Cover & Tube	M72555	M72555
19	Oil Retainer (Shaft End)	N/A	N/A
5	Oil Retainer (Lead End)	M23130	M23130

\* - 169090 replaced by ball bearing motor 169233.

N/A - Not Available.

 - Factory recommended spare parts.

Use the list below for cross-reference purposes only. Consult factory if replacement parts are needed for these obsolete motors.

169233 replaces:

169090

MOT262-8

M12570

M98541

M98550

169089

NOTE: Refer to page 9 for exploded view of 7" motor.

**169092**

1 1/2HP, 208-230/460-60-3, 5.2-5.4/2.7 AMP, 1730 Motor for Series 60

ITEM NO.	DESCRIPTION	MFG. DATE 4/85 - 12/04	MFG. DATE 8/77 - 3/85
	<b>MOTOR ID NUMBER</b>	<b>M98558</b>	<b>M98552</b>
	Power Pack	*169092	*169092
	Motor Bracket (Side)	P09180	P09180
	Motor Bracket (Bottom)	P08965	P08965
23	Conduit Box Cover	N/A	N/A
22	Conduit Box Cover Gasket	N/A	N/A
2	End Plate (Shaft End)	N/A	N/A
3	End Plate (Lead End)	N/A	N/A
14	Sleeve Bearing (2)	M71584	M71584
16	Wicking (2)	M71664	M71664
6	Motor Mount (2)	M71583	M71583
12	Resilient Washer - Buna N (2)	M71656	M71656
11	Cupped Washer - Steel (2)	M71658	M71658
13	Washer - Phenolic (2)	M71657	M71657
18	Shim Washer - Mylar (5)	M71654	M71654
15	Cover & Tube	M72555	M72555
19	Oil Retainer (Shaft End)	N/A	N/A
5	Oil Retainer (Lead End)	M23130	M23130

\* - 169092 replaced by ball bearing motor 169237.

N/A - Not Available.

 - Factory recommended spare parts.

Use the list below for cross-reference purposes only. Consult factory if replacement parts are needed for these obsolete motors.

169237 replaces:

169092

M98543

M98544

169091

NOTE: Refer to page 9 for exploded view of 7" motor.


**169094**

2HP, 208-230/460-60-3, 6.7-7.0/3.5 AMP, 1730 Motor for Series 60 Pump

ITEM NO.	DESCRIPTION	MFG. DATE 4/85 - 12/04	MFG. DATE 8/77 - 3/85
	<b>MOTOR ID NUMBER</b>	<b>M98559</b>	<b>M98553</b>
	Power Pack	*169094	*169094
	Motor Bracket (Side)	P09180	P09180
	Motor Bracket (Bottom)	P08966	P08966
23	Conduit Box Cover	N/A	N/A
22	Conduit Box Cover Gasket	N/A	N/A
2	End Plate (Shaft End)	N/A	N/A
3	End Plate (Lead End)	N/A	N/A
14	Sleeve Bearing (2)	M71584	M71584
16	Wicking (2)	M71664	M71664
6	Motor Mount (2)	M71583	M71583
12	Resilient Washer - Buna N (2)	M71656	M71656
11	Cupped Washer - Steel (2)	M71658	M71658
13	Washer - Phenolic (2)	M71657	M71657
18	Shim Washer - Mylar (5)	M71654	M71654
15	Cover & Tube	M72555	M72555
19	Oil Retainer (Shaft End)	N/A	N/A
5	Oil Retainer (Lead End)	M23130	M23130

\* - 169094 replaced by ball bearing motor 169238.

N/A - Not Available.

 - Factory recommended spare parts.

Use the list below for cross-reference purposes only. Consult factory if replacement parts are needed for these obsolete motors.

169238 replaces:

169094

M98545

M98546

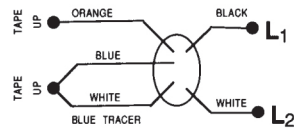
169093

NOTE: Refer to page 9 for exploded view of 7" motor.

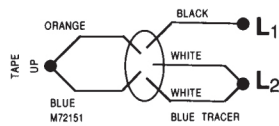
# WIRING DIAGRAMS FOR BELL & GOSSETT MOTORS

## SINGLE PHASE ... DUAL VOLTAGE WITH THERMAL PROTECTOR 5 LEADS

Manufacture date  
5/80 & After



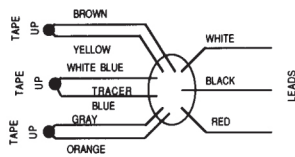
**HIGH VOLTAGE**



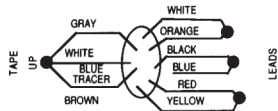
**LOW VOLTAGE**

## THREE PHASE ... DUAL VOLTAGE 9 LEADS

Manufacture date  
3/93 & After

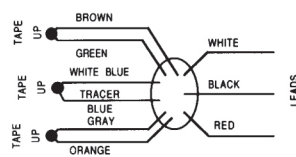


**HIGH VOLTAGE**

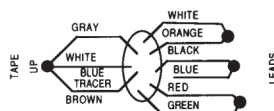


**LOW VOLTAGE**

Manufacture date  
3/93 & Before



**HIGH VOLTAGE**



**LOW VOLTAGE**

**xylem**  
Let's Solve Water

Xylem Inc.  
8200 N. Austin Avenue  
Morton Grove, Illinois 60053  
Phone: (847) 966-3700  
Fax: (847) 965-8379  
[www.xyleminc.com/brands/bellgossett](http://www.xyleminc.com/brands/bellgossett)

Bell & Gossett is a trademark of Xylem Inc. or one of its subsidiaries.  
© 2012 Xylem Inc. CP-25B-PL Mayr 2009