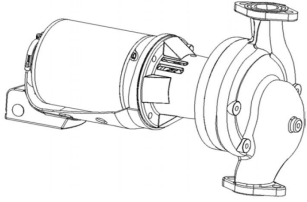


JOB: \_\_\_\_\_ REPRESENTATIVE: \_\_\_\_\_

UNIT TAG: \_\_\_\_\_ ORDER NO. \_\_\_\_\_ DATE: \_\_\_\_\_

ENGINEER: \_\_\_\_\_ SUBMITTED BY: \_\_\_\_\_ DATE: \_\_\_\_\_

CONTRACTOR: \_\_\_\_\_ APPROVED BY: \_\_\_\_\_ DATE: \_\_\_\_\_



# Series e-60 Stock Pumps

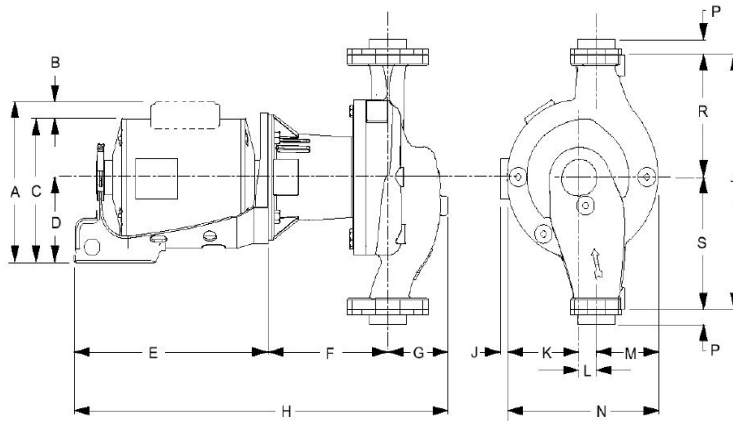
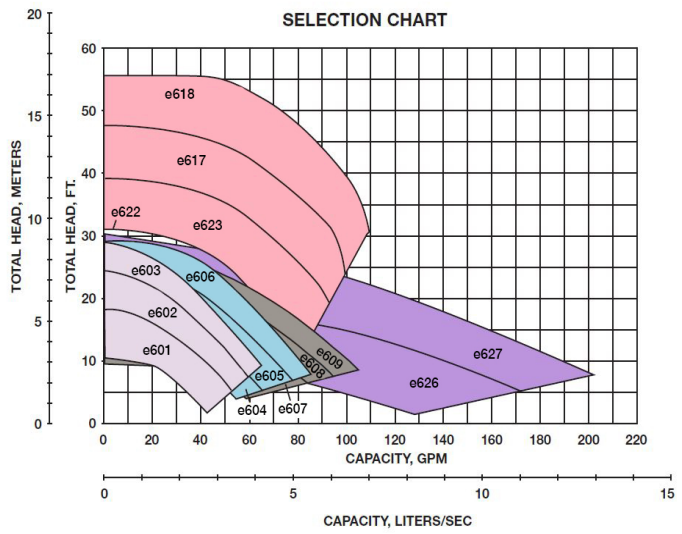
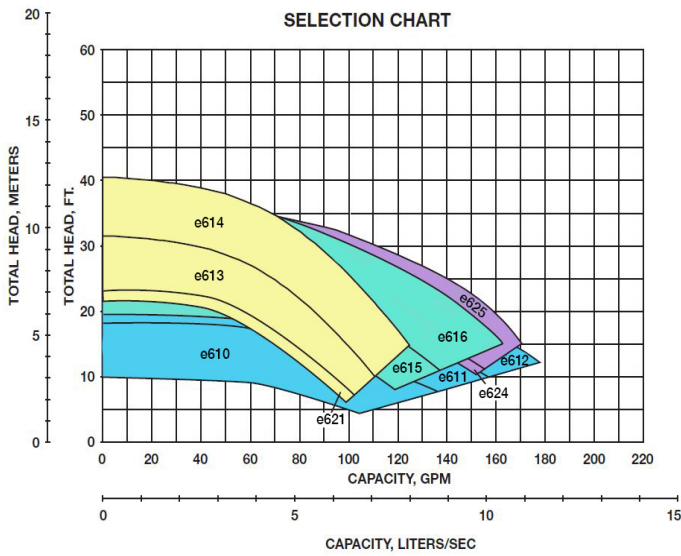
## Maintenance Free In-Line Mounted Pump

**SPECIFICATIONS**

FLOW \_\_\_\_\_ HEAD \_\_\_\_\_  
 HP \_\_\_\_\_ RPM \_\_\_\_\_  
 VOLTS \_\_\_\_\_  
 CYCLE \_\_\_\_\_ PHASE \_\_\_\_\_

**MATERIALS OF CONSTRUCTION/FEATURES**

- 1750 RPM ODP MOTOR
- FACTORY TESTED
- THREE YEAR WARRANTY
- UNITIZED INTERNAL SELF-FLUSHING MECHANICAL SEAL
- 175 PSI (12bar) MAX.W.P
- XL-11® BEARING LUBRICATION SYSTEM
- EPR/CARBON/CILICON CARBIDE SEAL (-10°F TO 250°F)
- BRONZE FITTED OR ALL BRONZE CONSTRUCTION



**Series e-60 Stock Centrifugal Pump Submittal**

**B-143.18**

MODEL	SUCTION AND DISCHARGE SIZE INCHES NPT	PUMP DIMENSIONS IN INCHES (MM)									
		F	G	K	L	M	N	P	R	S	T
E601,E602 & E603	1	6.44 (164)	3.44 (87)	3.62 (92)	1.38 (35)	2.5 (64)	7.5 (191)	0.75 (19)	5 (127)	6 (152)	11
E604,E605 & E606	1.25	6.44 (164)	3.44 (87)	3.62 (92)	1.38 (35)	2.5 (64)	7.5 (191)	0.75 (19)	5 (127)	6 (152)	11
E607,E608 & E609	1.5	6.56 (167)	3.62 (92)	3.75 (95)	1.38 (35)	2.75 (70)	7.88 (200)	0.75 (19)	5 (127)	6.5 (165)	11.5
E613,E614 & E621	1.5	6.69 (170)	3.44 (87)	4.06 (103)	1 (25)	3.56 (90)	8.56 (217)	0.75 (19)	6.5 (165)	7 (178)	13.5
E617,E618,E622 & E623	1.5	9.38 (238)	3.25 (83)	4.62 (117)	1 (25)	3.88 (99)	9.5 (241)	0.75 (19)	6.5 (165)	7 (178)	13.5
E610,E611 & E612	2	6.69 (170)	3.75 (95)	3.75 (95)	1.38 (35)	2.88 (73)	8 (203)	0.81 (21)	5 (127)	6.5 (165)	11.5
E615,E616	2	6.94 (176)	3.5 (89)	4.38 (111)	1 (25)	4 (102)	9.38 (238)	0.81 (21)	6.5 (165)	7 (178)	13.5
E619,E620 & E624	2	9.38 (238)	3.5 (89)	4.75 (121)	1 (25)	4.12 (105)	9.88 (251)	0.81 (21)	6.5 (165)	7.5 (191)	14

**MAXIMUM WORKING PRESSURE 175PSI (12BAR)**

**SINGLE PHASE 115V/230V, "B" MODELS STANDS FOR ALL BRONZE CONSTRUCTION. DIMENSIONS - INCHES (MM)**

PART #	MODEL	PUMP SIZE	HP	IMP DIA	A	B	C	D	E	H	APPX WEIGHT LBS
1EF011LF	E601S	1x1x5.25	1/4	4.38 (111)	10.12 (257)	2.25 (57)	7.88 (200)	4.38 (111)	10 (254)	19.88 (505)	48
1EF013LF	BE601S	1x1x5.25	1/4	4.38 (111)	10.12 (257)	2.25 (57)	7.88 (200)	4.38 (111)	10 (254)	19.88 (505)	48
1EF142LF	E602S	1x1x5.25	1/3	4.84 (123)	10.12 (257)	2.25 (57)	7.88 (200)	4.38 (111)	10 (254)	19.88 (505)	53
1EF014LF	BE602S	1x1x5.25	1/3	4.84 (123)	10.12 (257)	2.25 (57)	7.88 (200)	4.38 (111)	10 (254)	19.88 (505)	53
1EF012LF	E603S	1x1x5.25	1/2	5.25 (133)	10.12 (257)	2.25 (57)	7.88 (200)	4.38 (111)	10 (254)	21.12 (536)	55
1EF015LF	BE603S	1x1x5.25	1/2	5.25 (133)	10.12 (257)	2.25 (57)	7.88 (200)	4.38 (111)	10 (254)	21.12 (536)	55
1EF016LF	E604S	1.25x1.25x5.25	1/4	4.38 (111)	10.12 (257)	2.25 (57)	7.88 (200)	4.38 (111)	10 (254)	19.88 (505)	50
1EF018LF	BE604S	1.25x1.25x5.25	1/4	4.38 (111)	10.12 (257)	2.25 (57)	7.88 (200)	4.38 (111)	10 (254)	19.88 (505)	50
1EF017LF	E605S	1.25x1.25x5.25	1/3	4.84 (123)	10.12 (257)	2.25 (57)	7.88 (200)	4.38 (111)	10 (254)	19.88 (505)	55
1EF019LF	BE605S	1.25x1.25x5.25	1/3	4.84 (123)	10.12 (257)	2.25 (57)	7.88 (200)	4.38 (111)	10 (254)	19.88 (505)	55
1EF004LF	E606S	1.25x1.25x5.25	1/2	5.25 (133)	10.12 (257)	2.25 (57)	7.88 (200)	4.38 (111)	11 (279)	21.12 (536)	57
1EF020LF	BE606S	1.25x1.25x5.25	1/2	5.25 (133)	10.12 (257)	2.25 (57)	7.88 (200)	4.38 (111)	11 (279)	21.12 (536)	57
1EF021LF	E607S	1.5x1.5x5.25	1/3	4.38 (111)	10.12 (257)	2.25 (57)	7.88 (200)	4.38 (111)	10 (254)	20.19 (513)	59
1EF023LF	BE607S	1.5x1.5x5.25	1/3	4.38 (111)	10.12 (257)	2.25 (57)	7.88 (200)	4.38 (111)	10 (254)	20.19 (513)	59
1EF022LF	E608S	1.5x1.5x5.25	1/2	4.94 (125)	10.12 (257)	2.25 (57)	7.88 (200)	4.38 (111)	11 (279)	21.44 (545)	61
1EF024LF	BE608S	1.5x1.5x5.25	1/2	4.94 (125)	10.12 (257)	2.25 (57)	7.88 (200)	4.38 (111)	11 (279)	21.44 (545)	61
1EF005LF	E609S	1.5x1.5x5.25	3/4	5.25 (133)	10.12 (257)	2.25 (57)	7.88 (200)	4.38 (111)	11 (279)	21.44 (545)	63
1EF025LF	BE609S	1.5x1.5x5.25	3/4	5.25 (133)	10.12 (257)	2.25 (57)	7.88 (200)	4.38 (111)	11 (279)	21.44 (545)	63
1EF026LF	E610S	2x2x5.25	1/2	4.12 (105)	10.12 (257)	2.25 (57)	7.88 (200)	4.38 (111)	11 (279)	21.69 (551)	63
1EF028LF	BE610S	2x2x5.25	1/2	4.12 (105)	10.12 (257)	2.25 (57)	7.88 (200)	4.38 (111)	11 (279)	21.69 (551)	63
1EF027LF	E611S	2x2x5.25	3/4	4.75 (121)	10.12 (257)	2.25 (57)	7.88 (200)	4.38 (111)	11 (279)	21.69 (551)	71
1EF029LF	BE611S	2x2x5.25	3/4	4.75 (121)	10.12 (257)	2.25 (57)	7.88 (200)	4.38 (111)	11 (279)	21.69 (551)	71
				5.25	10.12	2.25	7.88	4.38	11	23.62	

1EF006LF	E612S	2x2x5.25	1	(133)	(257)	(57)	(200)	(111)	(279)	(600)	78
1EF030LF	BE612S	2x2x5.25	1	5.25 (133)	10.12 (257)	2.25 (57)	7.88 (200)	4.38 (111)	11 (279)	23.62 (600)	78
1EF143LF	E626S	3x3x5.25	3/4	4.38 (111)	10.12 (257)	2.25 (57)	7.88 (200)	4.38 (111)	11 (279)	20.44 (519)	77
1EF145LF	BE626S	3x3x5.25	3/4	4.38 (111)	10.12 (257)	2.25 (57)	7.88 (200)	4.38 (111)	11 (279)	20.44 (519)	77
1EF147LF	E627S	3x3x5.25	1.5	5.25 (133)	8.75 (222)	2.25 (57)	6.5 (165)	3.25 (83)	10.75 (273)	21.12 (536)	87
1EF149LF	BE627S	3x3x5.25	1.5	5.25 (133)	8.75 (222)	2.25 (57)	6.5 (165)	3.25 (83)	10.75 (273)	21.12 (536)	87
1EF064LF	E621S	1.5x1.5x6.25	1/2	4.88 (124)	10.12 (257)	2.25 (57)	7.88 (200)	4.38 (111)	11 (279)	21.31 (541)	66
1EF074LF	BE621S	1.5x1.5x6.25	1/2	4.88 (124)	10.12 (257)	2.25 (57)	7.88 (200)	4.38 (111)	11 (279)	21.31 (541)	66
1EF031LF	E613S	1.5x1.5x6.25	3/4	5.75 (146)	10.12 (257)	2.25 (57)	7.88 (200)	4.38 (111)	11 (279)	21.31 (541)	66
1EF007LF	E614S	1.5x1.5x6.25	1	6.25 (159)	10.12 (257)	2.25 (57)	7.88 (200)	4.38 (111)	11 (279)	21.31 (541)	85
1EF076LF	BE614S	1.5x1.5x6.25	1	6.25 (159)	10.12 (257)	2.25 (57)	7.88 (200)	4.38 (111)	11 (279)	21.31 (541)	85
1EF032LF	E615S	2x2x6.25	3/4	5.62 (143)	10.12 (257)	2.25 (57)	7.88 (200)	4.38 (111)	11 (279)	21.44 (545)	77
1EF078LF	BE615S	2x2x6.25	3/4	5.62 (143)	10.12 (257)	2.25 (57)	7.88 (200)	4.38 (111)	11 (279)	21.44 (545)	77
1EF008LF	E616S	2x2x6.25	1	6.22 (158)	10.12 (257)	2.25 (57)	7.88 (200)	4.38 (111)	11 (279)	21.44 (545)	86
1EF066LF	E622S	1.5x1.5x7	3/4	5.5 (140)	10.12 (257)	2.25 (57)	7.88 (200)	4.38 (111)	11 (279)	23.62 (600)	81
1EF067LF	E623S	1.5x1.5x7	1	6 (152)	10.12 (257)	2.25 (57)	7.88 (200)	4.38 (111)	11 (279)	23.62 (600)	90
1EF033LF	E617S	1.5x1.5x7	1.5	6.5 (165)	8.75 (222)	2.25 (57)	6.5 (165)	3.25 (83)	10.75 (273)	21.62 (549)	102
1EF070LF	E624S	2x2x7	1	5.69 (145)	10.12 (257)	2.25 (57)	7.88 (200)	4.38 (111)	11 (279)	23.88 (607)	95
1EF071LF	E625S	2x2x7	1.5	6.12 (155)	8.75 (222)	2.25 (57)	6.5 (165)	3.25 (83)	10.75 (273)	21.38 (543)	108

## THREE PHASE 208-230V/460V, "B" MODELS STANDS FOR ALL BRONZE CONSTRUCTION. DIMENSIONS - INCHES (MM)

PART #	MODEL	PUMP SIZE	HP	IMP DIA	A	B	C	D	E	H	APPX WEIGHT LBS
1EF034LF	E601T	1x1x5.25	1/4	4.38 (111)	7.88 (200)	0	7.88 (200)	4.38 (111)	10 (254)	19.88 (505)	48
1EF037LF	BE601T	1x1x5.25	1/4	4.38 (111)	7.88 (200)	0	7.88 (200)	4.38 (111)	10 (254)	19.88 (505)	48
1EF035LF	E602T	1x1x5.25	1/3	4.84 (123)	7.88 (200)	0	7.88 (200)	4.38 (111)	10 (254)	19.88 (505)	53
1EF038LF	BE602T	1x1x5.25	1/3	4.84 (123)	7.88 (200)	0	7.88 (200)	4.38 (111)	10 (254)	19.88 (505)	53
1EF036LF	E603T	1x1x5.25	1/2	5.25 (133)	7.88 (200)	0	7.88 (200)	4.38 (111)	11 (279)	21.12 (536)	55
1EF039LF	BE603T	1x1x5.25	1/2	5.25 (133)	7.88 (200)	0	7.88 (200)	4.38 (111)	11 (279)	21.12 (536)	55
1EF040LF	E604T	1.25x1.25x5.25	1/4	4.38 (111)	7.88 (200)	0	7.88 (200)	4.38 (111)	10 (254)	19.88 (505)	50
1EF043LF	BE604T	1.25x1.25x5.25	1/4	4.38 (111)	7.88 (200)	0	7.88 (200)	4.38 (111)	10 (254)	19.88 (505)	50
1EF041LF	E605T	1.25x1.25x5.25	1/3	4.84 (123)	7.88 (200)	0	7.88 (200)	4.38 (111)	10 (254)	19.88 (505)	55
1EF044LF	BE605T	1.25x1.25x5.25	1/3	4.84 (123)	7.88 (200)	0	7.88 (200)	4.38 (111)	10 (254)	19.88 (505)	55
1EF042LF	E606T	1.25x1.25x5.25	1/2	5.25 (133)	7.88 (200)	0	7.88 (200)	4.38 (111)	11 (279)	21.12 (536)	57
1EF045LF	BE606T	1.25x1.25x5.25	1/2	5.25 (133)	7.88 (200)	0	7.88 (200)	4.38 (111)	11 (279)	21.12 (536)	57
1EF046LF	E607T	1.5x1.5x5.25	1/3	4.38 (111)	7.88 (200)	0	7.88 (200)	4.38 (111)	10 (254)	19.88 (505)	59
1EF049LF	BE607T	1.5x1.5x5.25	1/3	4.38 (111)	7.88 (200)	0	7.88 (200)	4.38 (111)	10 (254)	19.88 (505)	59
1EF047LF	E608T	1.5x1.5x5.25	1/2	4.94 (125)	7.88 (200)	0	7.88 (200)	4.38 (111)	11 (279)	21.44 (545)	61
1EF050LF	BE608T	1.5x1.5x5.25	1/2	4.94 (125)	7.88 (200)	0	7.88 (200)	4.38 (111)	11 (279)	21.44 (545)	61
1EF048LF	E609T	1.5x1.5x5.25	3/4	5.25 (133)	7.88 (200)	0	7.88 (200)	4.38 (111)	11 (279)	21.44 (545)	63
1EF051LF	BE609T	1.5x1.5x5.25	3/4	5.25 (133)	7.88 (200)	0	7.88 (200)	4.38 (111)	11 (279)	21.44 (545)	63
1EF052LF	E610T	2x2x5.25	1/2	4.12 (105)	7.88 (200)	0	7.88 (200)	4.38 (111)	11 (279)	21.69 (551)	63
1EF055LF	BE610T	2x2x5.25	1/2	4.12 (105)	7.88 (200)	0	7.88 (200)	4.38 (111)	11 (279)	21.69 (551)	63
1EF053LF	E611T	2x2x5.25	3/4	4.75 (121)	7.88 (200)	0	7.88 (200)	4.38 (111)	11 (279)	21.69 (551)	71
1EF056LF	BE611T	2x2x5.25	3/4	4.75 (121)	7.88 (200)	0	7.88 (200)	4.38 (111)	11 (279)	21.69 (551)	71
1EF054LF	E612T	2x2x5.25	1	5.25 (133)	7.88 (200)	0	7.88 (200)	4.38 (111)	11 (279)	21.69 (551)	78
1EF057LF	BE612T	2x2x5.25	1	5.25 (133)	7.88 (200)	0	7.88 (200)	4.38 (111)	11 (279)	21.69 (551)	78
1EF144LF	E626T	3x3x5.25	3/4	4.38 (111)	7.88 (200)	0	7.88 (200)	4.38 (111)	11 (279)	20.44 (519)	77
1EF146LF	BE626T	3x3x5.25	3/4	4.38 (111)	7.88 (200)	0	7.88 (200)	4.38 (111)	11 (279)	20.44 (519)	77
1EF148LF	E627T	3x3x5.25	1.5	5.25 (133)	6.5 (165)	0	6.5 (165)	3.25 (83)	10.75 (273)	21.12 (536)	87
1EF150LF	BE627T	3x3x5.25	1.5	5.25 (133)	6.5 (165)	0	6.5 (165)	3.25 (83)	10.75 (273)	21.12 (536)	87
1EF065LF	E621T	1.5x1.5x6.25	1/2	4.88 (124)	7.88 (200)	0	7.88 (200)	4.38 (111)	11 (279)	21.31 (541)	66
1EF075LF	BE621T	1.5x1.5x6.25	1/2	4.88 (124)	7.88 (200)	0	7.88 (200)	4.38 (111)	11 (279)	21.31 (541)	66
1EF058LF	E613T	1.5x1.5x6.25	3/4	5.75 (146)	7.88 (200)	0	7.88 (200)	4.38 (111)	11 (279)	21.31 (541)	68
1EF059LF	E614T	1.5x1.5x6.25	1	6.25 (159)	7.88 (200)	0	7.88 (200)	4.38 (111)	11 (279)	21.31 (541)	85

1EF077LF	BE614T	1.5x1.5x6.25	1	6.25 (159)	7.88 (200)	0	7.88 (200)	4.38 (111)	11 (279)	21.31 (541)	85
1EF060LF	E615T	2x2x6.25	3/4	5.62 (143)	7.88 (200)	0	7.88 (200)	4.38 (111)	11 (279)	21.44 (545)	77
1EF079LF	BE615T	2x2x6.25	3/4	5.62 (143)	7.88 (200)	0	7.88 (200)	4.38 (111)	11 (279)	21.44 (545)	77
1EF061LF	E616T	2x2x6.25	1	6.22 (158)	7.88 (200)	0	7.88 (200)	4.38 (111)	11 (279)	21.44 (545)	86
1EF068LF	E622T	1.5x1.5x7	3/4	5.5 (140)	7.88 (200)	0	7.88 (200)	4.38 (111)	11 (279)	23.62 (600)	81
1EF069LF	E623T	1.5x1.5x7	1	6 (152)	7.88 (200)	0	7.88 (200)	4.38 (111)	11 (279)	23.62 (600)	90
1EF062LF	E617T	1.5x1.5x7	1.5	6.5 (165)	6.5 (165)	0	6.5 (165)	3.25 (83)	10.75 (273)	21.62 (549)	102
1EF009LF	E618T	1.5x1.5x7	2	7 (178)	6.5 (165)	0	6.5 (165)	3.25 (83)	10.75 (273)	21.62 (549)	115
1EF072LF	E624T	2x2x7	1	5.69 (145)	7.88 (200)	0	7.88 (200)	4.38 (111)	11 (279)	23.88 (607)	95
1EF073LF	E625T	2x2x7	1.5	6.12 (155)	6.5 (165)	0	6.5 (165)	3.25 (83)	10 (254)	21.38 (543)	108
1EF063LF	E619T	2x2x7	2	6.5 (165)	6.5 (165)	0	6.5 (165)	3.25 (83)	10 (254)	21.38 (543)	118
1EF010LF	E620T	2x2x7	3	7 (178)	6.5 (165)	0	6.5 (165)	3.25 (83)	11.38 (289)	22.25 (565)	131

## THREE PHASE 575V, "B" MODELS STANDS FOR ALL BRONZE CONSTRUCTION. DIMENSIONS - INCHES (MM)

PART #	MODEL	PUMP SIZE	HP	IMP DIA	A	B	C	D	E	H	APPX WEIGHT LBS
1EF080LF	E601T	1x1x5.25	1/4	4.38 (111)	7.88 (200)	0	7.88 (200)	4.38 (111)	10 (254)	19.88 (505)	48
1EF107LF	BE601T	1x1x5.25	1/4	4.38 (111)	7.88 (200)	0	7.88 (200)	4.38 (111)	10 (254)	19.88 (505)	48
1EF081LF	E602T	1x1x5.25	1/3	4.84 (123)	7.88 (200)	0	7.88 (200)	4.38 (111)	10 (254)	19.88 (505)	53
1EF108LF	BE602T	1x1x5.25	1/3	4.84 (123)	7.88 (200)	0	7.88 (200)	4.38 (111)	10 (254)	19.88 (505)	53
1EF082LF	E603T	1x1x5.25	1/2	5.25 (133)	7.88 (200)	0	7.88 (200)	4.38 (111)	11 (279)	21.12 (536)	55
1EF109LF	BE603T	1x1x5.25	1/2	5.25 (133)	7.88 (200)	0	7.88 (200)	4.38 (111)	11 (279)	21.12 (536)	55
1EF083LF	E604T	1.25x1.25x5.25	1/4	4.38 (111)	7.88 (200)	0	7.88 (200)	4.38 (111)	10 (254)	19.88 (505)	50
1EF110LF	BE604T	1.25x1.25x5.25	1/4	4.38 (111)	7.88 (200)	0	7.88 (200)	4.38 (111)	10 (254)	19.88 (505)	50
1EF084LF	E605T	1.25x1.25x5.25	1/3	4.84 (123)	7.88 (200)	0	7.88 (200)	4.38 (111)	10 (254)	19.88 (505)	55
1EF111LF	BE605T	1.25x1.25x5.25	1/3	4.84 (123)	7.88 (200)	0	7.88 (200)	4.38 (111)	10 (254)	19.88 (505)	55
1EF085LF	E606T	1.25x1.25x5.25	1/2	5.25 (133)	7.88 (200)	0	7.88 (200)	4.38 (111)	11 (279)	21.12 (536)	57
1EF112LF	BE606T	1.25x1.25x5.25	1/2	5.25 (133)	7.88 (200)	0	7.88 (200)	4.38 (111)	11 (279)	21.12 (536)	57
1EF086LF	E607T	1.5x1.5x5.25	1/3	4.38 (111)	7.88 (200)	0	7.88 (200)	4.38 (111)	10 (254)	19.88 (505)	59
1EF113LF	BE607T	1.5x1.5x5.25	1/3	4.38 (111)	7.88 (200)	0	7.88 (200)	4.38 (111)	10 (254)	19.88 (505)	59
1EF087LF	E608T	1.5x1.5x5.25	1/2	4.94 (125)	7.88 (200)	0	7.88 (200)	4.38 (111)	11 (279)	21.44 (545)	61
1EF114LF	BE608T	1.5x1.5x5.25	1/2	4.94 (125)	7.88 (200)	0	7.88 (200)	4.38 (111)	11 (279)	21.44 (545)	61
1EF088LF	E609T	1.5x1.5x5.25	3/4	5.25 (133)	7.88 (200)	0	7.88 (200)	4.38 (111)	11 (279)	21.44 (545)	63
1EF115LF	BE609T	1.5x1.5x5.25	3/4	5.25 (133)	7.88 (200)	0	7.88 (200)	4.38 (111)	11 (279)	21.44 (545)	63
1EF089LF	E610T	2x2x5.25	1/2	4.12 (105)	7.88 (200)	0	7.88 (200)	4.38 (111)	11 (279)	21.69 (551)	63
1EF116LF	BE610T	2x2x5.25	1/2	4.12 (105)	7.88 (200)	0	7.88 (200)	4.38 (111)	11 (279)	21.69 (551)	63
1EF090LF	E611T	2x2x5.25	3/4	4.75 (121)	7.88 (200)	0	7.88 (200)	4.38 (111)	11 (279)	21.69 (551)	71
1EF117LF	BE611T	2x2x5.25	3/4	4.75 (121)	7.88 (200)	0	7.88 (200)	4.38 (111)	11 (279)	21.69 (551)	71
1EF091LF	E612T	2x2x5.25	1	5.25 (133)	7.88 (200)	0	7.88 (200)	4.38 (111)	11 (279)	21.69 (551)	78
1EF118LF	BE612T	2x2x5.25	1	5.25 (133)	7.88 (200)	0	7.88 (200)	4.38 (111)	11 (279)	21.69 (551)	78
1EF092LF	E626T	3x3x5.25	3/4	4.38 (111)	7.88 (200)	0	7.88 (200)	4.38 (111)	11 (279)	20.44 (519)	77
1EF119LF	BE626T	3x3x5.25	3/4	4.38 (111)	7.88 (200)	0	7.88 (200)	4.38 (111)	11 (279)	20.44 (519)	77
1EF093LF	E627T	3x3x5.25	1.5	5.25 (133)	6.5 (165)	0	6.5 (165)	3.25 (83)	10.75 (273)	21.12 (536)	87
1EF120LF	BE627T	3x3x5.25	1.5	5.25 (133)	6.5 (165)	0	6.5 (165)	3.25 (83)	10.75 (273)	21.12 (536)	87
1EF094LF	E621T	1.5x1.5x6.25	1/2	4.88 (124)	7.88 (200)	0	7.88 (200)	4.38 (111)	11 (279)	21.31 (541)	66
1EF121LF	BE621T	1.5x1.5x6.25	1/2	4.88 (124)	7.88 (200)	0	7.88 (200)	4.38 (111)	11 (279)	21.31 (541)	66
1EF095LF	E613T	1.5x1.5x6.25	3/4	5.75 (146)	7.88 (200)	0	7.88 (200)	4.38 (111)	11 (279)	21.31 (541)	68
1EF096LF	E614T	1.5x1.5x6.25	1	6.25 (159)	7.88 (200)	0	7.88 (200)	4.38 (111)	11 (279)	21.31 (541)	85

1EF122LF	BE614T	1.5x1.5x6.25	1	6.25 (159)	7.88 (200)	0	7.88 (200)	4.38 (111)	11 (279)	21.31 (541)	85
1EF097LF	E615T	2x2x6.25	3/4	5.62 (143)	7.88 (200)	0	7.88 (200)	4.38 (111)	11 (279)	21.44 (545)	77
1EF123LF	BE615T	2x2x6.25	3/4	5.62 (143)	7.88 (200)	0	7.88 (200)	4.38 (111)	11 (279)	21.44 (545)	77
1EF098LF	E616T	2x2x6.25	1	6.22 (158)	7.88 (200)	0	7.88 (200)	4.38 (111)	11 (279)	21.44 (545)	86
1EF099LF	E622T	1.5x1.5x7	3/4	5.5 (140)	7.88 (200)	0	7.88 (200)	4.38 (111)	11 (279)	23.62 (600)	81
1EF100LF	E623T	1.5x1.5x7	1	6 (152)	7.88 (200)	0	7.88 (200)	4.38 (111)	11 (279)	23.62 (600)	90
1EF101LF	E617T	1.5x1.5x7	1.5	6.5 (165)	6.5 (165)	0	6.5 (165)	3.25 (83)	10.75 (273)	21.62 (549)	102
1EF102LF	E618T	1.5x1.5x7	2	7 (178)	6.5 (165)	0	6.5 (165)	3.25 (83)	10.75 (273)	21.62 (549)	115
1EF103LF	E624T	2x2x7	1	5.69 (145)	7.88 (200)	0	7.88 (200)	4.38 (111)	11 (279)	23.88 (607)	95
1EF104LF	E625T	2x2x7	1.5	6.12 (155)	6.5 (165)	0	6.5 (165)	3.25 (83)	10 (254)	21.38 (543)	108
1EF105LF	E619T	2x2x7	2	6.5 (165)	6.5 (165)	0	6.5 (165)	3.25 (83)	10 (254)	21.38 (543)	118
1EF106LF	E620T	2x2x7	3	7 (178)	6.5 (165)	0	6.5 (165)	3.25 (83)	11.38 (289)	22.25 (565)	131