

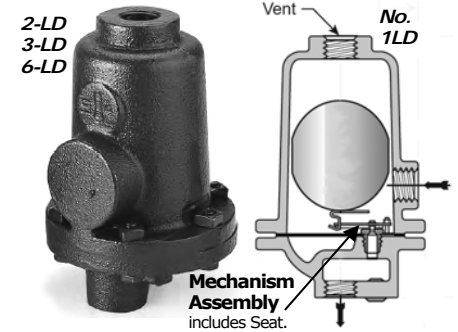
Armstrong Cast Iron & Stainless Steel Liquid Drain Traps

Guided Lever Liquid Drainers						Repair Parts				
Model	Pipe Size	Orifice Diam. (inch)	Max PSIG	Body	Wgt. Lbs.	Order No.	Mechanism Assembly	Stainless Steel Float	Cover Gasket	
1LD	1/2"	1/8	120	Cast Iron	4.0	AN1334A	AO4705	AO4708	AO4708G	
		7/64	140			AN1334C	AO4705A			
		#38 drill	180			AN1334D	AO4705C			
		5/64	300			AN1335	AO4705E			
		5/16	20			AN1335A	AO4705F			
2LD	1/2"	1/4	35	Cast Iron	13.0	AN1335C	AO4705H	AO4708A	AO4708H	
		3/16	80			AN1335E	AO4705K			
		5/32	135			AN1336	AO4705M			
		1/8	235			AN1336A	AO4705N			
		5/16	20			AN1336C	AO4705F			
		1/4	35			AN1336D	AO4705H			
	3/4"	3/16	80			AN1336E	AO4705K			
		5/32	135			AN1336F	AO4705M			
		1/8	235			AN1336G	AO4705N			
		3/8	35			AN1336H	AO4707			
		5/16	55			AN1336K	AO4707A			
		9/32	70			AN1337	AO4707C			
3LD	3/4"	1/4	105	Cast Iron	22.0	AN1337A	AO4707E	AO4708C	AO4708K	
		7/32	155			AN1337C	AO4707H			
		3/16	230			AN1337D	AO4707K			
		3/8	35			AN1337F	AO4707			
		5/16	55			AN1337G	AO4707A			
		9/32	70			AN1337H	AO4707C			
	1"	1/4	105			AN1337I	AO4707E			
		7/32	155			AN1337J	AO4707H			
		3/16	230			AN1337K	AO4707K			
		7/8	30			AN1337M	AO4707M			
		5/8	70			AN1338C	AO4707N			
		1/2	135			AN1338F	AO4707P			
6LD	1 1/2"	7/16	195	Cast Iron	80.0	AN1338G	AO4707R	AO4708E	AO4708M	
		3/8	250			AN1338H	AO4707T			
		7/8	30			AN1338K	AO4707M			
		5/8	70			AN1338L	AO4707N			
	2"	1/2	135			AN1338N	AO4707P			
		7/16	195			AN1338P	AO4707R			
		3/8	250			AN1338R	AO4707T			
		11-LD	3/4"			#38 drill	250			Stainless Steel
		5/64	400	3.25	AN1345					
22-LD	3/4"	5/32	135	Stainless Steel	3.25	AN1346				
		7/64	300			AN1346B				
		5/64	530			AN1346D				
13-LD	1"	1/4	100	Stainless Steel	7.5	AN1348				
		3/16	230			AN1348B				
		5/32	355			AN1348D				

Armstrong's cast iron and stainless steel Guided Lever Drain Traps (1LD, 2LD, 3LD and 6LD) use the same bodies, caps, lever mechanisms valves and seats of the inverted bucket steam traps. Elliptical floats produce high leverage to open large orifices for robust drain capacity.

No. 1-LD, 2-LD, 3-LD and 6-LD cast iron guided lever drain traps.

No. 1-LD has top inlet & optional side connection.



No. 11-LD, 22-LD and 13-LD Stainless steel guided lever liquid drain trap with sealed, non-repairable tamperproof construction.



Fixed Pivot Liquid Drainers					Repair Parts			
Model	Pipe Size	Material	Max PSIG	Wgt. Lbs.	Order No.	Mechanism & Seat Assembly	Stainless Steel Float (2.25 oz.)	Cover Gasket
21-LD	1/2"	Cast Iron	22	8.0	AN1354	AO4710	AO4710R	AO4710T
			28		AN1354A	AO4710A		
			38		AN1354C	AO4710C		
			54		AN1354E	AO4710E		
			67		AN1354F	AO4710G		
			84		AN1354G	AO4710H		
			148		AN1354H	AO4710K		
			210		AN1354K	AO4710M		
			250		AN1354M	AO4710N		
			3/4"		Cast Iron	22		
	28	AN1354P		AO4710A				
	38	AN1354R		AO4710C				
	54	AN1354T		AO4710E				
	67	AN1354V		AO4710G				
	84	AN1354X		AO4710H				
	148	AN1355		AO4710K				
	210	AN1355A		AO4710M				
	250	AN1355C		AO4710N				

The **Model 21 Fixed Pivot Drain Trap** is a small, economical drain trap for use on jobs where dirt and oil are not a concern. Employs a single lever with a fixed pivot.



The No. 21 is also available in Aluminum Construction.

