

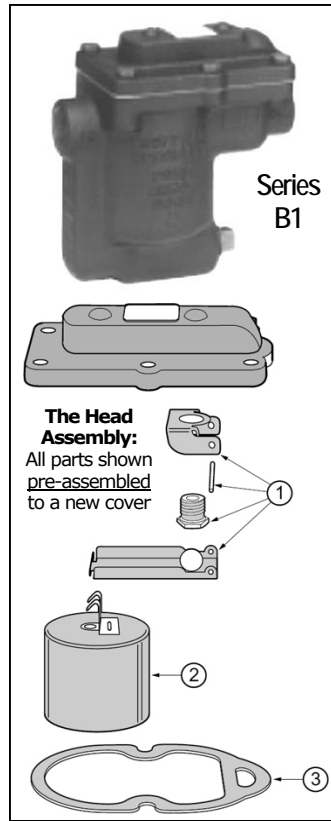
Hoffman "B" Series Bucket Traps and Parts

The "B" series of Hoffman bucket traps replace the old style 600 series traps.

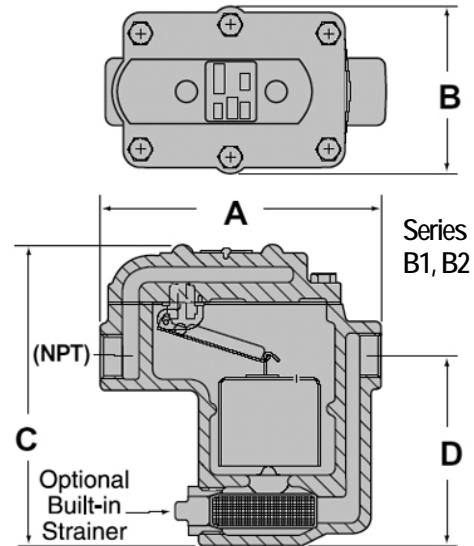
■ The model B1 replaces the old models 600 and 601. The B2 (following page) replaces the old model 602. See the following pages for Model 600, 601 and 602 repair parts.

■ New larger capacity B3 and B4 bucket traps are available but not shown here. Call for more information.

The **Head Assembly** repair Kit includes the valve assembly, bucket and cover gasket pre-assembled to a new cover. Easy to Install — Simply remove the old cover, bolt-on the new one and you're done.



Hoffman Model B1 to B4 Dimensions



Bucket Trap Dimensions

Model	Pipe Size	A	B	C	D
B1	1/2, 3/4	6-15/16"	3-13/16"	7"	4-3/8"
B2	3/4	6-15/16	3-13/16	8-13/16	11
B3	3/4, 1	9-7/16	11-5/8	6-7/8	6-9/16
B4	1, 1 1/4, 1 1/2	11-3/8	14-3/16	8-5/16	8-1/8

Complete B1 Traps Less Strainer			
Model No.	Pipe Size	Max. Press. PSI	ORDER NO.
B1015A	1/2"	15	HL1255
B1030A	1/2"	30	HL1256
B1075A	1/2"	75	HL1257
B1125A	1/2"	125	HL1258
B1180A	1/2"	180	HL1259
B1250A	1/2"	250	HL1260
B1015A	3/4"	15	HL1261
B1030A	3/4"	30	HL1262
B1075A	3/4"	75	HL1263
B1125A	3/4"	125	HL1264
B1180A	3/4"	180	HL1265
B1250A	3/4"	250	HL1266
Complete B1 Traps With Strainer			
B1015S	1/2"	15	HL1267
B1030S	1/2"	30	HL1268
B1075S	1/2"	75	HL1269
B1125S	1/2"	125	HL1270
B1180S	1/2"	180	HL1271
B1250S	1/2"	250	HL1272
B1015S	3/4"	15	HL1273
B1030S	3/4"	30	HL1274
B1075S	3/4"	75	HL1275
B1125S	3/4"	125	HL1276
B1180S	3/4"	180	HL1277
B1250S	3/4"	250	HL1278

Related Repair Parts			
3. Cover Gasket	1. Valve Assembly	2. Bucket Only	Head Assembly
HL1574	HL1700	HL1710	HL1715
	HL1701		HL1716
	HL1702		HL1717
	HL1703		HL1718
	HL1704		HL1719
	HL1705		HL1720
	HL1700		HL1715
	HL1701		HL1716
	HL1702		HL1717
	HL1703		HL1718
	HL1704		HL1719
	HL1705		HL1720
Related Repair Parts			
HL1574	HL1700	HL1710	HL1715
	HL1701		HL1716
	HL1702		HL1717
	HL1703		HL1718
	HL1704		HL1719
	HL1705		HL1720
	HL1700		HL1715
	HL1701		HL1716
	HL1702		HL1717
	HL1703		HL1718
	HL1704		HL1719
	HL1705		HL1720

Hoffman "B" Series Bucket Traps and Parts



Series
B2

The series B2 inverted bucket traps replace the old Hoffman model 602 steam traps.

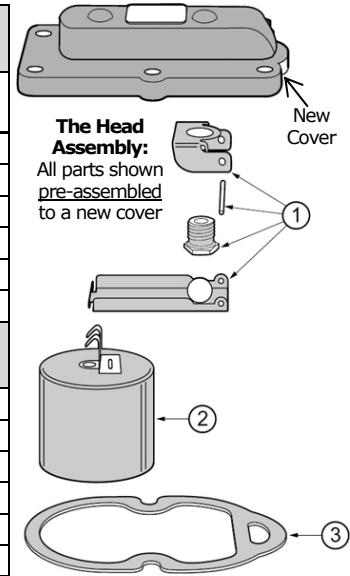
These inverted bucket steam traps are rated to handle a certain "maximum" steam pressure at the trap. For example: If you have a low-pressure steam heating system where the steam pressure never exceeds 15 pounds psi you will order the steam trap model with a maximum psi of 15.

However, if you have a steam system operating at 80 pounds of steam psi at the trap do not order the 75 psi model — You must "step-up" to the 125 psi model.

Call for price and availability on the larger models B3 and B4

Complete B2 Traps Less Strainer			
Model No.	Pipe Size	Max PSI	ORDER NO.
B2015A	3/4"	15	HL1303
B2030A	3/4"	30	HL1304
B2075A	3/4"	75	HL1305
B2125A	3/4"	125	HL1306
B2180A	3/4"	180	HL1307
B2250A	3/4"	250	HL1308
Complete B2 Traps With Strainer			
Model No.	Pipe Size	Max PSI	ORDER NO.
B2015S	3/4"	15	HL1309
B2030S	3/4"	30	HL1310
B2075S	3/4"	75	HL1311
B2125S	3/4"	125	HL1312
B2180S	3/4"	180	HL1313
B2250S	3/4"	250	HL1314

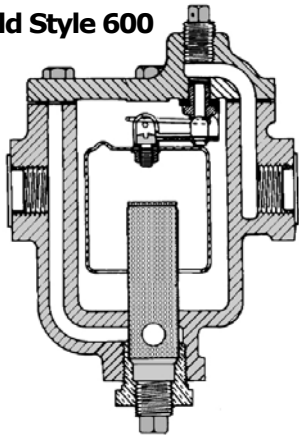
Related Repair Parts			
3. Cover Gasket	1. Valve Assembly	2. Bucket Only	Head Assembly
HL1574	HL1706	HL1712	HL1727
	HL1707		HL1728
	HL1700		HL1729
	HL1708		HL1730
	HL1702		HL1731
HL1709		HL1732	
Related Repair Parts			
HL1574	HL1706	HL1712	HL1727
	HL1707		HL1728
	HL1700		HL1729
	HL1708		HL1730
	HL1702		HL1731
HL1709		HL1732	



Trap Model	Trap Press. PSI	Capacities for Type "B" Bucket Traps													
		Differential Pressure: Inlet vs. Outlet in pounds PSI													
		1/2	2	5	10	15	30	50	75	100	125	180	200	250	
Capacities in Pounds per Hour of Condensate															
B1	15	500	835	1145	1490	1700	—	—	—	—	—	—	—	—	—
	30	260	460	680	905	1060	1440	—	—	—	—	—	—	—	—
	75	200	335	480	605	695	900	1070	1200	—	—	—	—	—	—
	125	115	195	275	355	410	530	640	745	830	920	—	—	—	—
	180	80	140	205	275	320	425	520	620	705	780	930	—	—	—
B2	250	28	55	90	125	150	215	275	340	400	450	570	600	700	—
	15	750	1255	1755	2280	2620	—	—	—	—	—	—	—	—	—
	30	650	1005	1350	1700	1950	2400	—	—	—	—	—	—	—	—
	75	490	740	980	1220	1340	1600	1910	2170	—	—	—	—	—	—
	125	350	580	830	905	920	1180	1430	1680	1920	2100	—	—	—	—
B3	180	200	330	460	580	675	840	1020	1190	1350	1480	1725	—	—	—
	250	180	305	430	540	620	780	940	1100	1270	1415	1650	1740	1890	—
	15	1450	2300	3050	3700	4100	—	—	—	—	—	—	—	—	—
	30	720	1340	2020	2760	3300	4470	—	—	—	—	—	—	—	—
	75	500	3915	1370	1860	2200	2980	3720	4460	—	—	—	—	—	—
B4	125	435	800	1200	1630	1950	2665	3325	3970	4540	5000	—	—	—	—
	180	300	570	870	1190	1440	1970	2490	2960	3400	3790	4440	—	—	—
	250	256	485	740	1010	1210	1675	2100	2535	2890	3200	3780	3980	4340	—
	15	2382	3755	5071	6366	7272	—	—	—	—	—	—	—	—	—
	30	1565	2693	3855	5056	5926	7774	—	—	—	—	—	—	—	—
B4	75	825	1568	2396	3302	3983	5489	6953	8389	—	—	—	—	—	—
	125	780	1459	2205	3015	3621	4950	6233	7484	8522	9424	—	—	—	—
	180	522	991	1516	2089	2521	3476	4403	5313	6070	6732	7970	—	—	—
	250	389	759	1180	1649	2005	2801	3583	4357	5006	5574	6646	6963	7787	—

Hoffman "600" Old Style Bucket Trap Repair Parts

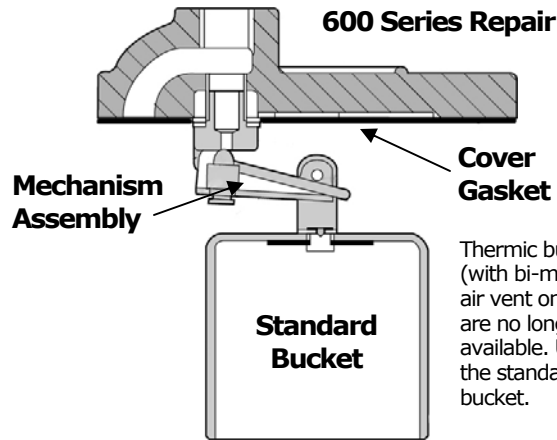
Old Style 600



The "old" style Hoffman series 600 inverted bucket traps (shown here) are no longer made. They have been replaced by the "B" series traps shown on the preceding pages.

However, repair parts are available for the traps shown below, and also available via "special order" for the larger 603 and 604 traps.

600 Series Repair Parts



Thermic buckets (with bi-metallic air vent on top) are no longer available. Use the standard bucket.

600 series Bucket Trap Repair Parts					
Model No	Pipe Size	Max. Press. lbs/psig	Cover Gasket	Mechanism Assembly	Standard Bucket
601A	1/2	30	HL1800	HL1805	HL1820
601A	1/2	75		HL1806	
601A	1/2	125		HL1807	
601A	1/2	150		HL1808	
601A	1/2	250		HL1809	
601A	3/4	30		HL1805	
601A	3/4	75		HL1806	
601A	3/4	125		HL1807	
601A	3/4	150		HL1808	
601A	3/4	250		HL1809	
601AS	1/2	30		HL1805	
601AS	1/2	75		HL1806	
601AS	1/2	125		HL1807	
601AS	1/2	150		HL1808	
601AS	1/2	250		HL1809	
601AS	3/4	30		HL1805	
601AS	3/4	75		HL1806	
601AS	3/4	125		HL1807	
601AS	3/4	150		HL1808	
601AS	3/4	250		HL1809	
601AT	1/2	30	HL1805		
601AT	1/2	75	HL1806		
601AT	1/2	125	HL1807		
601AT	3/4	30	HL1805		

600 series Bucket Trap Repair Parts						
Model No	Pipe Size	Max. Press. lbs/psig	Cover Gasket	Mechanism Assembly	Standard Bucket	
601AT	3/4	75	HL1800	HL1806	HL1820	
601AT	3/4	125		HL1807		
601AST	1/2	30		HL1805		
601AST	1/2	75		HL1806		
601AST	1/2	125		HL1807		
601AST	3/4	30		HL1805		
601AST	3/4	75		HL1806		
601AST	3/4	125		HL1807		
600B	3/4	30		HL1810		HL1822
600B	3/4	75		HL1811		
600B	3/4	125		HL1812		
600B	3/4	250		HL1813		
600BT	3/4	30	HL1810			
600BT	3/4	75	HL1811			
600BT	3/4	125	HL1812	HL1824		
602B	3/4	30	HL1801		HL1814	
602B	3/4	75			HL1815	
602B	3/4	125			HL1816	
602B	3/4	150			HL1817	
602B	3/4	250			HL1818	
602BT	3/4	30		HL1814		
602BT	3/4	125	HL1815			

Call for information on other models of Hoffman bucket traps, including models 603 and 604.