

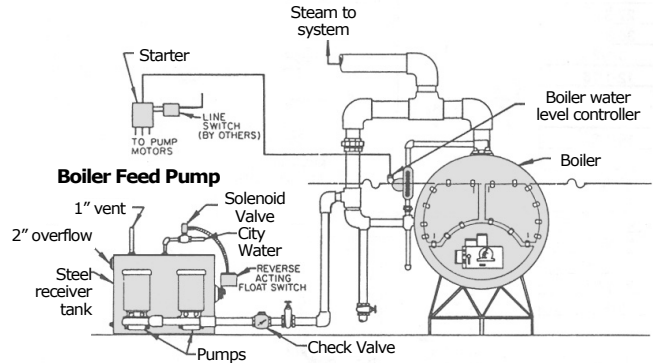
Boiler Feed Pumps for Steam Heating Systems

Mepco brand "Guardian" Boiler Feed Pumps

Mepco (formerly Dunham-Bush) boiler feed pumps are installed throughout North America.

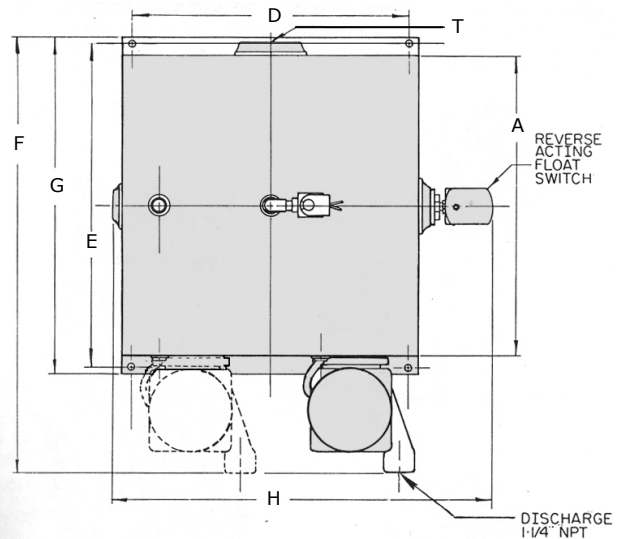
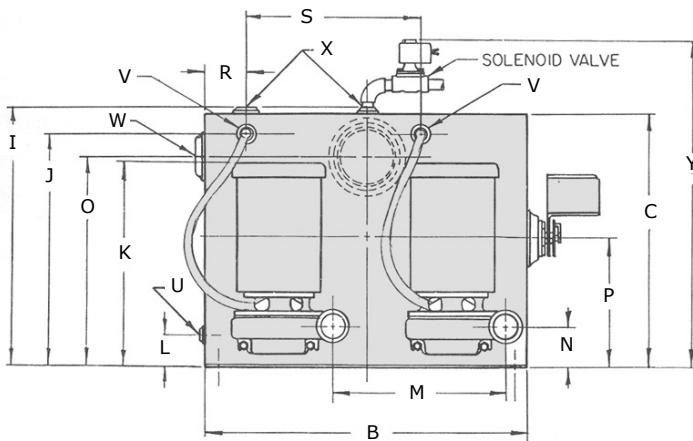
- Water level maintained via electric solenoid water make-up valve with reverse acting float switch
- 1/3 hp, 115/230 volt, 3450 rpm energy efficient motors
- 3/16" thick steel receiver tank
- Pumps up to 18 gpm at 20 pounds psi
- Simplex pumps are activated by a float switch
- Duplex pumps are activated via a mechanical alternator

Typical boiler feed pump installation



Model No.	Maximum Boiler HP Rating	Pump Style	Pump GPM	Discharge Pressure	Motor HP 115/230V	Tank Size (gallons)	Inlet Pipe Size	Discharge Pipe Size	Weight	Order No.
GSB44	50	Simplex	18	20 psi	1/3	44	4	1 1/4	154	DK1150
GSB70	75					70			209	DK1160
GSB100	120					100			281	DK1170
GSBD44	50	Duplex	18	20 psi	1/3	44	4	1 1/4	194	DK1180
GSBD70	75					70			299	DK1190
GSBD100	120					100			321	DK1200

Dimensions



Tank Size	A	B	C	D	E	F	G	H	I	J	K	L	M	N	O	P	R	S	T	U	V	W	X	Y
44	24	24	18 1/2	22 1/8	25 7/8	35 1/4	27 1/2	30	19	17	14 3/8	2 3/8	13	2 3/4	14 7/8	9 5/8	3	13	4	3/4	1/8	2	1	24
70	30	30	18	27 3/4	32 1/4	41 1/4	33 1/2	36	18 1/2	16 1/2	15 1/8	2 3/4	18	3 1/2	14 7/8	10 5/8	3 1/8	18	4	3/4	1/8	2	1	23 1/2
100	36	36	18	33 3/4	38 1/4	47 1/4	39 1/2	42	18 1/2	16 1/2	15 1/8	2 3/4	20	3 1/2	14 7/8	10	5 1/4	20	4	3/4	1/8	2	1	23 1/2