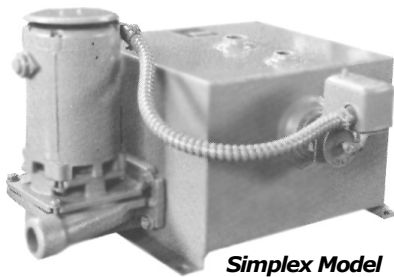


Condensate Pumps for Steam Heating Systems



Simplex Model

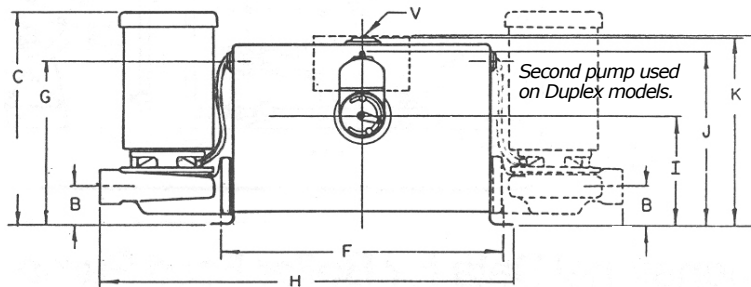
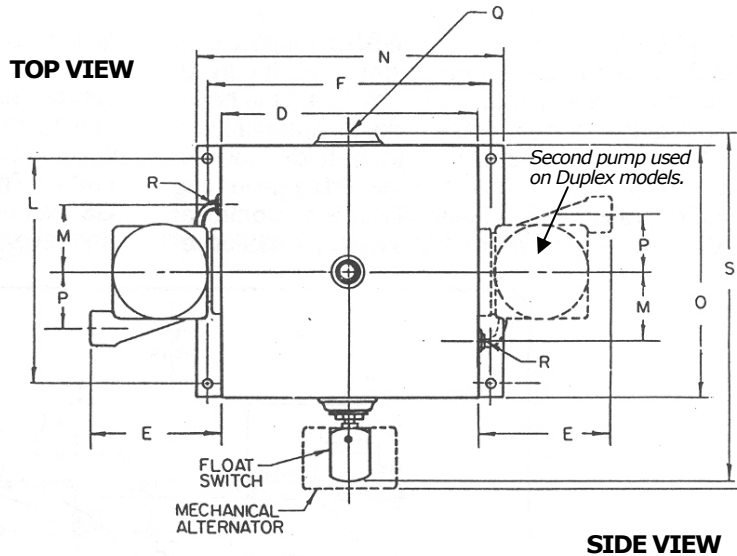
MEPCO "Guardian" Condensate Pumps

These MEPCO (formerly Dunham-Bush) standard condensate pumps are generally used for transferring steam heating condensate from remote locations in the building or campus to the larger boiler feed receiver tank located in the boiler room.

Economically priced and available in simplex (1 pump) or duplex (2 pump) construction. 1/3 horsepower, 3450 rpm motors. Pump motors wired for 115V; field convertible to 230V. Two-pole float switch on both the simplex and duplex models. 3/16" heavy-duty 10 or 16 gallon steel tank. 3/4" pump discharge connection.

Repair Parts for Mepco Guardian Condensate Pumps

Part Description	Order No.
Replacement 1/3 hp 115/230 volt pump & motor assembly	DL1213
Replacement motor only: 1/3 HP, 115/230 V	DL1475
Impeller	DL1318
Pump-to-Tank Gasket only	DL1316
Water Seal Kit Order gasket above	DL1280
Replacement Float Switch Assembly	SF1005
Replacement Mechanical Alternator (for duplex pumps)	DL1366



Order Complete Pump and Tank combinations below

Dimensions

Model & Tank Size	A	B	C	D	E	F	G	H	J	K	L	N	O	P	S	T	W
GS 10 gallon	1¼	2¾	14	17	7½	25	7½	11¾	11¾	11¼	15	19	14	—	21¾	10½	9
GS 16 gallon	1¼	2¾	14	18	8	29	9⅞	13¾	13¾	12½	20	19¾	18	9¾	22½	11¼	10

Complete Pump Ordering Guide

Model No.	Simplex or Duplex	Discharge Pressure (psi)	Pump GPM	Motor H.P.	Tank Size (gals)	Wgt (lbs)	Order No.
GS10	Simplex	20	18	1/3	10	100	DK1100
GSD10	Duplex	20	18	1/3	16	175	DK1110
GS16	Simplex	20	18	1/3	10	150	DK1120
GSD16	Duplex	20	18	1/3	16	235	DK1130